

TURBO SCOUTLIGHT PRO

DUAL FUEL HIGH-CANDELA WEAPONLIGHT



550* LUMENS



71,000* CANDELA



2* HOURS



533* METERS



REFLECTOR



DUAL FUEL



RECHARGEABLE



IPX7

DESCRIPTION

SureFire's Scout Light Pro series rewrote the rules of long-gun WeaponLight versatility. The M640DFT combines the best attributes of the M640 Scout Light Pro with high-candela performance and dual-fuel capability. The M640DFT delivers the farthest-reaching beam of any SureFire long gun WeaponLight with the longest runtime. It is ideal for long-range target identification.

The M640DFT projects a blinding, peak beam intensity of 71,000 candela using the included SF18650B rechargeable lithium-ion battery, and 71,000 candela with two 123A primary batteries as well. The M640DFT offers tremendous versatility by providing ample spill light for situational awareness without sacrificing long-range performance.

The Scout Light Pro Low-Profile Mount (LPM) delivers unprecedented versatility, allowing the user to optimize the light's position relative to the rail and other attached firearm accessories. Rugged and reliable, the LPM easily and securely attaches to any MIL-STD-1913 or M-LOK rail. Constructed of lightweight aerospace aluminum, Mil-Spec hard-anodized, and O-ring sealed to keep out the elements, the M640DFT Scout Light Pro is the best-performing, most feature-rich, WeaponLight for its size.



		M640DFT	
		Black	Tan
SPECIFICATIONS	COLORS		
	OUTPUT*	18650: 550 lumens	123A: 550 lumens
	RUNTIME*	18650: 2 hours	123A: 1 hour
	PEAK BEAM INTENSITY*	18650: 71,000 candela	123A: 71,000 candela
	DISTANCE*	18650: 533 meters	123A: 533 meters
	CONSTRUCTION	Aluminum	
	FINISH	Hard Anodized (MIL-A-8625 Type III, Class 2)	
	WEIGHT (w/batteries)	5.5 oz (156 g)	
	LENGTH	5.9 in (15 cm)	
	BEZEL DIAMETER	1.258 in (3.19 cm)	
BATTERIES	One SF18650B lithium-ion rechargeable (incl) or Two 123A lithium (not incl)		
SWITCHING	Click tailcap		

All performance claims tested to ANSI/NEMA FL1-2019 Standard.

*SF18650B battery required for 550 lumen output, 71,000 candela, 2 hours runtime, and 533 meter beam distance

FEATURES

- Precision reflector produces a high-candela, far-reaching beam ideal for target identification at long distances
- Generates up to 71,000 candela and 550 lumens of focused light with an SF18650B or two 123A batteries
- Versatile Low-Profile Mount (LPM) allows the user to optimize the light's position relative to the rail and other attached firearm accessories
- Mil-Spec hard-anodized aluminum body and tempered window make it light rugged, durable and combat ready
- Activation via ZE68 momentary/constant-on pushbutton switching with protective shroud
- Compatible with a host of remote tape switches (see accessories below)
- Meets IPX7 waterproof test standard at 1 meter for 30 minutes
- Note: SF18650B battery required for 550 lumen output, 71,000 candela, 2 hours runtime, and 533 meter beam distance

PART# / UPC

M640DFT-BK-PRO 084871331579
M640DFT-TN-PRO 084871331586



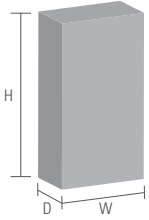
THE WORLD'S FINEST ILLUMINATION TOOLS, SUPPRESSORS, & TACTICAL PRODUCTS®

18300 Mt. Baldy Circle, Fountain Valley, CA 92708 | 714-545-9444 | Fax: 714-545-9537 | surefire.com

Actual product may vary from photo. Prices and specifications subject to change without notice. | Export of the product(s) shown herein must comply with the appropriate U.S. Government Jurisdiction(s) and Regulation(s).

©2022 SureFire, LLC JAN

PACKAGING SPECS



TYPE	Box - Kraft Stock
HEIGHT	9.5 in (24.1 cm)
WIDTH	4.75 in (12.1 cm)
DEPTH	1.75 in (4.4 cm)

FEATURED ACCESSORIES



123A LITHIUM BATTERIES

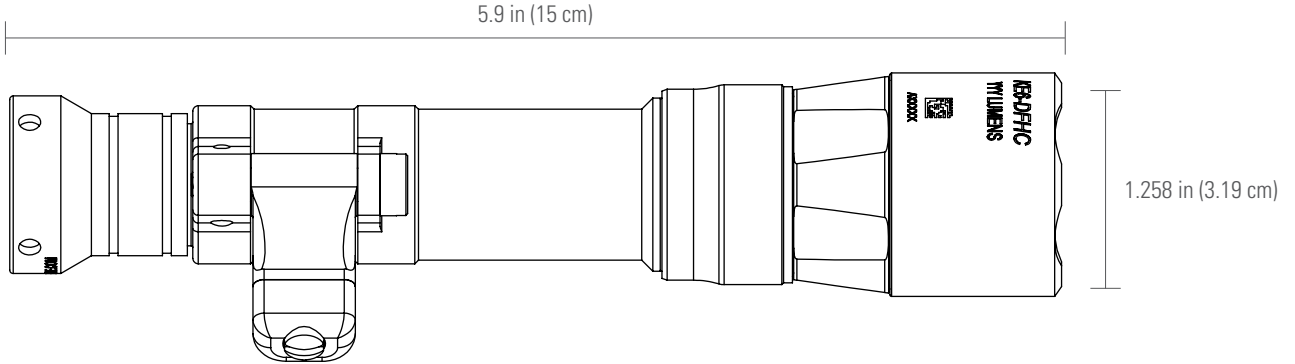
Available in 2, 6, 12-packs and bulk options



SC1 SPARE BATTERY CARRIER

Other appropriate models also available

BODY SPECS



BATTERY SPECS

SF18650B	RATING/PERFORMANCE	COMMENTS
TYPE	Protected 18650	Internal Projection / Safety PCB
VOLTAGE	3.6V	
CERTIFICATION	CE, PSE, UN38.3	
CHARGE END VOLTAGE	4.20V	Max charge voltage
CHEMISTRY	Lithium-ion	
DIMENSIONS	69.4 x 18.6 mm	Diameter x Height
DISCHARGE END VOLTAGE	2.50V	
DISCHARGE RATE	8-10A	
ENERGY	12.6 Wh	
LITHIUM CONTENT	1.05 g	
OPERATING TEMP RANGE (CHARGING)	0-45°C, 65%±25%RH	
OPERATING TEMP RANGE (DISCHARGING)	-20°C-+60°C, 65%±25%RH	
RATED CAPACITY	3.5Ah	
STANDARD CHARGE RATE	Charging through USB can take over 8 hours if fully depleted. Approximately 5 hours of flashlight cutoff	
STORAGE TEMP RANGE	0-35°C 60±25%RH	
USB CHARGE CURRENT	600mA ± 100mA	
USB CHARGE VOLTAGE	5.0V ± 0.2V	
WEIGHT	1.7 oz (49 g)	

18650 Battery Charger Specification Requirements:

1. Use only a smart charger that uses a constant current/constant voltage charge cycle
2. Output of 4.2VDC, with charge current output of 0.5 to 2A



MIL-STD



THE WORLD'S FINEST ILLUMINATION TOOLS, SUPPRESSORS, & TACTICAL PRODUCTS®

18300 Mt. Baldy Circle, Fountain Valley, CA 92708 | 714-545-9444 | Fax: 714-545-9537 | surefire.com

Actual product may vary from photo. Prices and specifications subject to change without notice. | Export of the product(s) shown herein must comply with the appropriate U.S. Government Jurisdiction(s) and Regulation(s).