

**THE SUREFIRE NO-HASSLE GUARANTEE**

We'll do what it takes to keep your SureFire gear running smoothly. SureFire warrants that if you — our customer — purchase one of our products, and we determine that it is defective in material and/or workmanship during your lifetime, we will repair or replace it — no hassle!

Our warranty does not cover consumables or normal wear-and-tear — things like batteries draining, headbands and headpads wearing out, ink cartridges running out, and switches wearing out — or damage resulting from abuse, alterations, unauthorized repairs, or use contrary to SureFire's user manuals.

Should you need a replacement product, SureFire reserves the right to replace an obsolete product with a current production, like model. In the event that any issue with a SureFire product is not covered under this warranty SureFire can arrange to have the product repaired for a reasonable fee.

**BATTERY PACK SPEC TABLE:**

B12 (XSC BATTERY)	RATING/PERFORMANCE
TYPE	Lithium Polymer w/PCM and fuel gauge
VOLTAGE	3.7V
CERTIFICATION	UN38.3
CHARGE END VOLTAGE	4.2V
DISCHARGE END VOLTAGE	2.7V
ENERGY	0.74Wh
LITHIUM CONTENT	0.06g
OPERATING TEMP RANGE (Charging)	0-45C
OPERATING TEMP RANGE (Discharging)	-10-65C
RATED CAPACITY	200mAh
STANDARD CHARGE RATE	0.5C
STORAGE TEMP RANGE	-10-45C
USB CHARGE CURRENT	100mA
USB CHARGE VOLTAGE	5V
WEIGHT	11.5g

**STANDARD DISCLAIMER**

Except as specified above or prohibited by applicable law: all express or implied conditions and warranties, including, without limitation, any implied warranty or condition of merchantability or fitness for a particular purpose, or accuracy of any informational content, are hereby excluded and disclaimed by SureFire; and in no event will SureFire be liable for any special, direct, indirect, consequential, incidental or punitive damages howsoever arising and regardless of the theory of liability, even if advised of the possibility of such damages. Products, prices, availability, specifications, and offers are subject to change or cancellation at any time without notice.

**WARRANTY CLAIMS**

For claims, contact Customer Service at 714-545-9444 to obtain a Return Merchandise Authorization number (RMA#). Then package the unit carefully and send to (no CODs):

SureFire, LLC.  
Repairs Department, RMA# \_\_\_\_\_  
17680 Newhope Street, Suite B  
Fountain Valley, CA 92708

SureFire will pay any reasonable shipping costs to return the unit to you.

Revision A 08-2020  
71-01-1100  
XSC-A



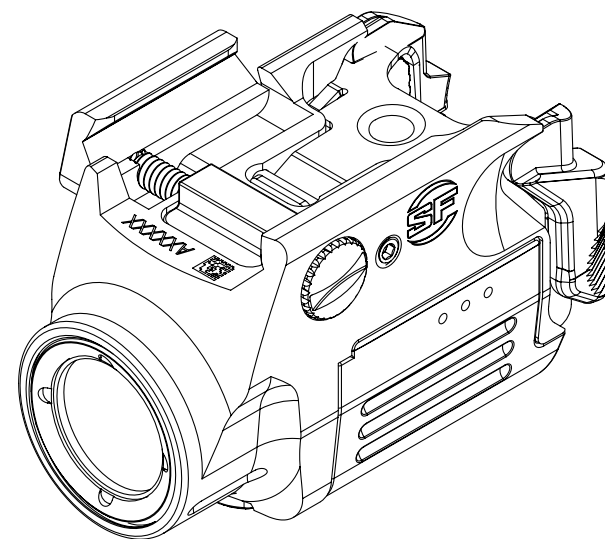
18300 MT. BALDY CIRCLE  
FOUNTAIN VALLEY, CA 92708-6122  
WWW.SUREFIRE.COM  
Patent: 9,551,550



**XSC**

**MICRO-COMPACT HANDGUN LIGHT**

XSC-A



		XSC-A
<b>SPECIFICATIONS</b>	<b>OUTPUT</b>	350 lumens
	<b>RUNTIME</b>	30 minutes
	<b>PEAK BEAM INTENSITY</b>	2,000 candela
	<b>DISTANCE</b>	90 meters
	<b>CONSTRUCTION</b>	Aluminum
	<b>FINISH</b>	Mil-Spec Hard Anodized
	<b>WEIGHT (w/batteries)</b>	1.7 ounces / 48.2 g
	<b>LENGTH</b>	1.94 inches / 4.9 cm
	<b>BEZEL DIAMETER</b>	0.78 inches / 1.9 cm
	<b>BATTERIES</b>	One proprietary rechargeable lithium polymer 3.7V battery
	<b>SWITCHING</b>	Ambidextrous momentary/constant

All performance claims tested to ANSI/NEMA FL1-2009 Standard.

**KIT CONTENTS:**

- XSC-A WeaponLight
- B12 Lithium Polymer Battery
- CH21 Cradle Charger
- MICRO-USB to USB Cable

**MOUNTING XSC TO A HANDGUN**

**⚠ WARNING**

ALWAYS confirm weapon is unloaded and on SAFE before attempting installation.

1. Loosen Rail-Adjustment Bolt by turning counterclockwise to adjust gap between stationary and movable Rail Guide until gap is sufficiently wide to fit over weapon accessory rail (Figure 1).
2. Align Fixed Rail with weapon's accessory rail and hinge XSC over the cross slot of host weapon.
3. Mate Crossmember with slot in weapon's accessory rail (Figure 2).
4. Tighten Rail-Adjustment Bolt clockwise hand tight then use a coin or flat head screw driver to further tighten bolt no more than a 1/4 turn. Do NOT overtighten!

**BATTERY INSTALLATION**

Position battery below XSC and insert until it clicks into place (Figure 3).

**BATTERY REMOVAL**

Press battery latch lock forward toward the direction of the beam and then pull the battery downward (Figure 4).

**⚠ WARNING**

Use of substandard batteries can cause injury or property damage. Visit [www.surefire.com/batterysafety](http://www.surefire.com/batterysafety).

**⚠ BATTERY INFORMATION & WARNING**

Before replacing batteries, read the enclosed BATTERY INFORMATION/WARNING insert in your original packaging. For additional battery safety, handling, and product information, visit [www.surefire.com/batteries](http://www.surefire.com/batteries).

**BATTERY CHARGING**

The B12 battery needs to be removed from the XSC and placed into the CH21 battery charger to charge.

**HOW TO CHARGE THE BATTERY**

1. Insert the MICRO-USB cable plug into the CH21 battery charger.
2. Insert the USB cable plug into a power source.
3. Insert the B12 battery into the CH21 charger (Figure 5).

*NOTE: The three fuel gauge LEDs on the side of the battery will illuminate according to the chart below while charging and discharging.*

FUEL GAUGE LED INDICATOR	
LEDS	BATTERY CAPACITY
○ ○ ☀	0-15%
○ ○ ●	16-50%
○ ● ●	51-80%
● ● ●	81-100%

☀ = blinking ○ = off ● = on

**LIGHT OPERATION**

The XSC is designed to allow support-hand activation in both momentary-on and constant-on modes when firing right- or left-handed.

**TOGGLE SWITCHING**

**Momentary-on activation** Depress and hold either toggle switch for more than a tenth of a second or as long as needed to momentarily activate the XSC. Release to turn off. (Figure 6).

**Constant-on activation with toggle switches:** The XSC is programmed for constant-on activation by a quick tap and release action via either toggle switches. (Figure 6).

*NOTE: The light will not activate when rear switches are pushed upward or side-to-side. This intentional design feature minimizes unintended activation when drawing or holstering.*

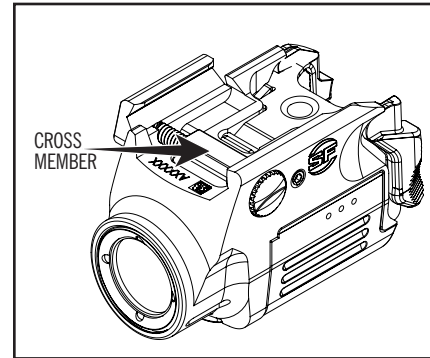
**MAINTENANCE**

Use a clean, dry cloth to wipe off body and window. For additional tips on maintaining your SureFire illumination tool, visit [www.surefire.com/faqs-maintenance](http://www.surefire.com/faqs-maintenance).

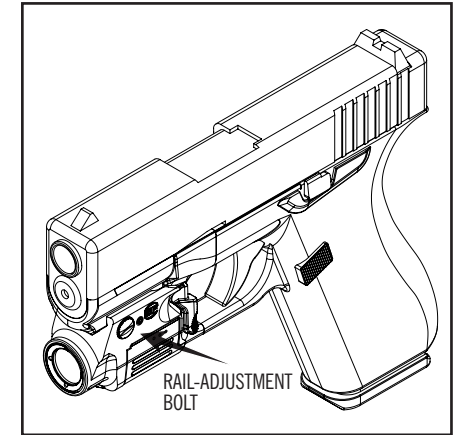
**ACCESSORIES**

SureFire makes a full line of accessories for most of its illumination tools. For a complete listing, visit [www.surefire.com/partsaccessories](http://www.surefire.com/partsaccessories).

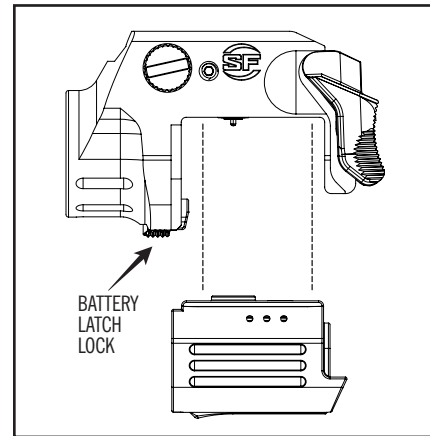
**FIGURE 1**



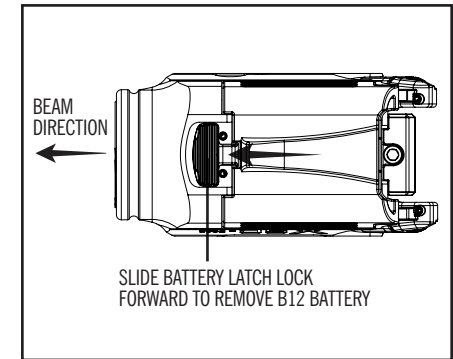
**FIGURE 2**



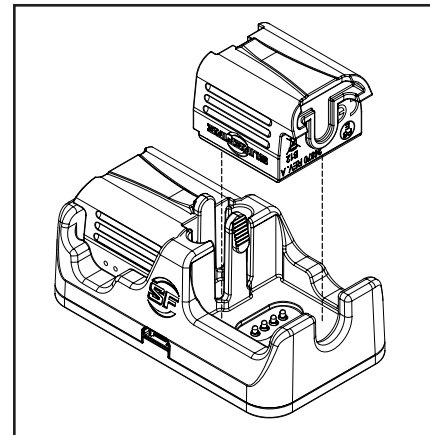
**FIGURE 3**



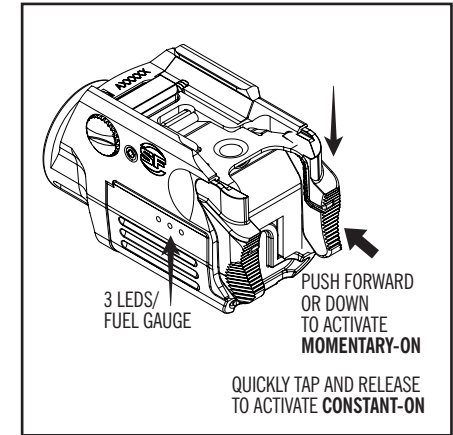
**FIGURE 4**



**FIGURE 5**



**FIGURE 6**



**THE SUREFIRE NO-HASSLE GUARANTEE**

We'll do what it takes to keep your SureFire gear running smoothly. SureFire warrants that if you — our customer — purchase one of our products, and we determine that it is defective in material and/or workmanship during your lifetime, we will repair or replace it — no hassle!

Our warranty does not cover consumables or normal wear-and-tear — things like batteries draining, headbands and headpads wearing out, ink cartridges running out, and switches wearing out — or damage resulting from abuse, alterations, unauthorized repairs, or use contrary to SureFire's user manuals.

Should you need a replacement product, SureFire reserves the right to replace an obsolete product with a current production, like model. In the event that any issue with a SureFire product is not covered under this warranty SureFire can arrange to have the product repaired for a reasonable fee.

**BATTERY PACK SPEC TABLE:**

B12 (XSC BATTERY)	RATING/PERFORMANCE
TYPE	Lithium Polymer w/PCM and fuel gauge
VOLTAGE	3.7V
CERTIFICATION	UN38.3
CHARGE END VOLTAGE	4.2V
DISCHARGE END VOLTAGE	2.7V
ENERGY	0.74Wh
LITHIUM CONTENT	0.06g
OPERATING TEMP RANGE (Charging)	0-45C
OPERATING TEMP RANGE (Discharging)	-10-65C
RATED CAPACITY	200mAh
STANDARD CHARGE RATE	0.5C
STORAGE TEMP RANGE	-10-45C
USB CHARGE CURRENT	100mA
USB CHARGE VOLTAGE	5V
WEIGHT	11.5g

**STANDARD DISCLAIMER**

Except as specified above or prohibited by applicable law: all express or implied conditions and warranties, including, without limitation, any implied warranty or condition of merchantability or fitness for a particular purpose, or accuracy of any informational content, are hereby excluded and disclaimed by SureFire; and in no event will SureFire be liable for any special, direct, indirect, consequential, incidental or punitive damages howsoever arising and regardless of the theory of liability, even if advised of the possibility of such damages. Products, prices, availability, specifications, and offers are subject to change or cancellation at any time without notice.

**WARRANTY CLAIMS**

For claims, contact Customer Service at 714-545-9444 to obtain a Return Merchandise Authorization number (RMA#). Then package the unit carefully and send to (no CODs):

SureFire, LLC.  
Repairs Department, RMA# \_\_\_\_\_  
17680 Newhope Street, Suite B  
Fountain Valley, CA 92708

SureFire will pay any reasonable shipping costs to return the unit to you.

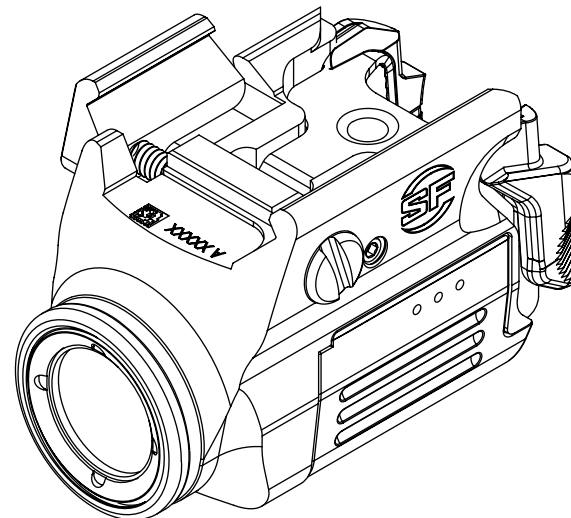
Revision A 08-2020  
71-01-1117  
XSC-HELLCAT



18300 MT. BALDY CIRCLE  
FOUNTAIN VALLEY, CA 92708-6122  
WWW.SUREFIRE.COM  
Patent: 9,551,550

**XSC**

MICRO-COMPACT HANDGUN LIGHT  
XSC-HELLCAT



		XSC-HELLCAT
<b>SPECIFICATIONS</b>	OUTPUT	350 lumens
	RUNTIME	30 minutes
	PEAK BEAM INTENSITY	2,000 candela
	DISTANCE	90 meters
	CONSTRUCTION	Aluminum
	FINISH	Mil-Spec Hard Anodized
	WEIGHT (w/batteries)	1.7 ounces / 48.2 g
	LENGTH	1.94 inches / 4.9 cm
	BEZEL DIAMETER	0.78 inches / 1.9 cm
	BATTERIES	One proprietary rechargeable lithium polymer 3.7V battery
	SWITCHING	Ambidextrous momentary/constant

All performance claims tested to ANSI/NEMA FL1-2009 Standard.

**KIT CONTENTS:**

- XSC-HELLCAT WeaponLight
- B12 Lithium Polymer Battery
- CH21 Cradle Charger
- MICRO-USB to USB Cable

**MOUNTING XSC TO A HANDGUN**

**⚠ WARNING**

ALWAYS confirm weapon is unloaded and on SAFE before attempting installation.

1. Loosen Rail-Adjustment Bolt by turning counterclockwise to adjust gap between stationary and movable Rail Guide until gap is sufficiently wide to fit over weapon accessory rail (Figure 1).
2. Align Fixed Rail with weapon's accessory rail and hinge XSC over the cross slot of host weapon.
3. Mate Crossmember with slot in weapon's accessory rail (Figure 2).
4. Tighten Rail-Adjustment Bolt clockwise hand tight then use a coin or flat head screw driver to further tighten bolt no more than a 1/4 turn. Do NOT overtighten!

**BATTERY INSTALLATION**

Position battery below XSC and insert until it clicks into place (Figure 3).

**BATTERY REMOVAL**

Press battery latch lock forward toward the direction of the beam and then pull the battery downward (Figure 4).

**⚠ WARNING**

Use of substandard batteries can cause injury or property damage. Visit [www.surefire.com/batterysafety](http://www.surefire.com/batterysafety).

**⚠ BATTERY INFORMATION & WARNING**

Before replacing batteries, read the enclosed BATTERY INFORMATION/ WARNING insert in your original packaging. For additional battery safety, handling, and product information, visit [www.surefire.com/batteries](http://www.surefire.com/batteries).

**BATTERY CHARGING**

The B12 battery needs to be removed from the XSC and placed into the CH21 battery charger to charge.

**HOW TO CHARGE THE BATTERY**

1. Insert the MICRO-USB cable plug into the CH21 battery charger.
2. Insert the USB cable plug into a power source.
3. Insert the B12 battery into the CH21 charger (Figure 5).

*NOTE: The three fuel gauge LEDs on the side of the battery will illuminate according to the chart below while charging and discharging.*

FUEL GAUGE LED INDICATOR		
LEDS		BATTERY CAPACITY
○ ○ ☼		0-15%
○ ○ ●		16-50%
○ ● ●		51-80%
● ● ●		81-100%
	☼ = blinking ○ = off ● = on	

**LIGHT OPERATION**

The XSC is designed to allow support-hand activation in both momentary-on and constant-on modes when firing right- or left-handed.

**TOGGLE SWITCHING**

**Momentary-on activation** Depress and hold either toggle switch for more than a tenth of a second or as long as needed to momentarily activate the XSC. Release to turn off. (Figure 6).

**Constant-on activation with toggle switches:** The XSC is programmed for constant-on activation by a quick tap and release action via either toggle switches. (Figure 6).

*NOTE: The light will not activate when rear switches are pushed upward or side-to-side. This intentional design feature minimizes unintended activation when drawing or holstering.*

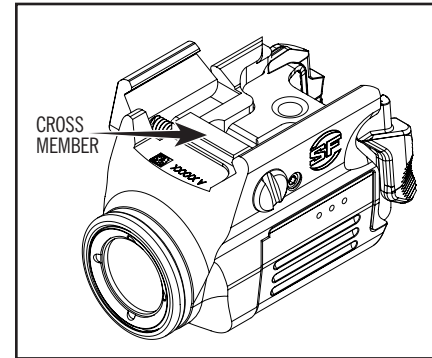
**MAINTENANCE**

Use a clean, dry cloth to wipe off body and window. For additional tips on maintaining your SureFire illumination tool, visit [www.surefire.com/faqs-maintenance](http://www.surefire.com/faqs-maintenance).

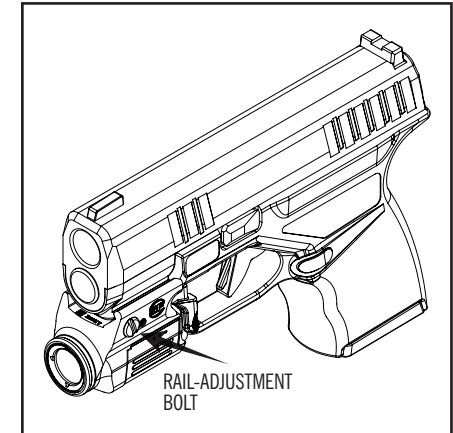
**ACCESSORIES**

SureFire makes a full line of accessories for most of its illumination tools. For a complete listing, visit [www.surefire.com/partsaccessories](http://www.surefire.com/partsaccessories).

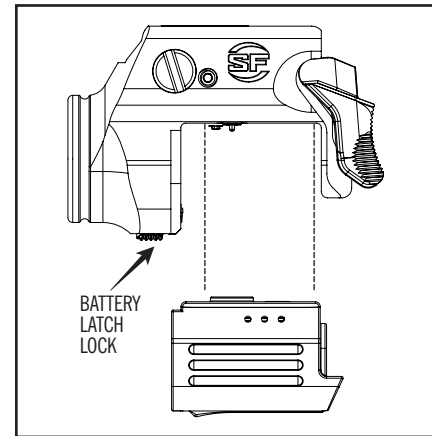
**FIGURE 1**



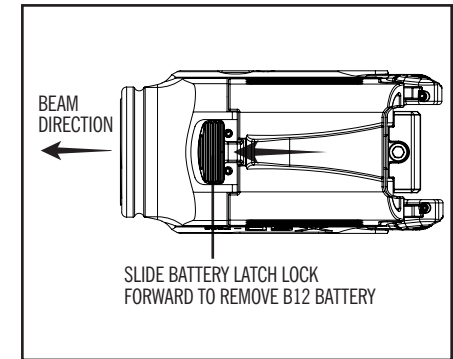
**FIGURE 2**



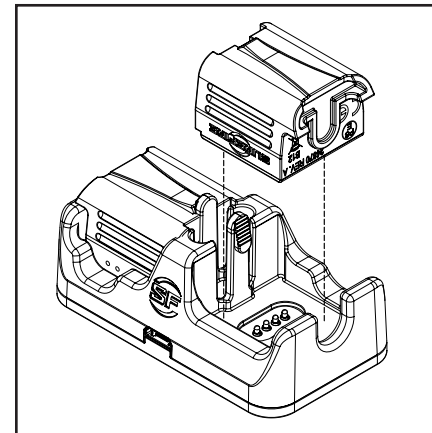
**FIGURE 3**



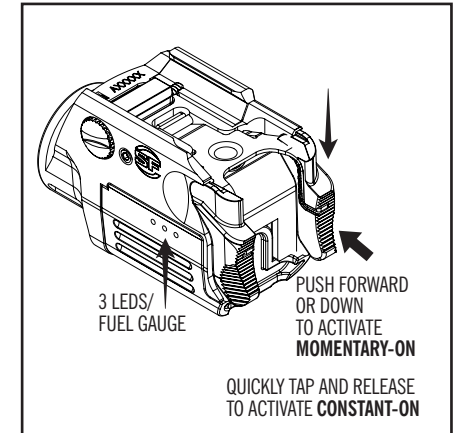
**FIGURE 4**



**FIGURE 5**



**FIGURE 6**



**THE SUREFIRE NO-HASSLE GUARANTEE**

We'll do what it takes to keep your SureFire gear running smoothly. SureFire warrants that if you — our customer — purchase one of our products, and we determine that it is defective in material and/or workmanship during your lifetime, we will repair or replace it — no hassle!

Our warranty does not cover consumables or normal wear-and-tear — things like batteries draining, headbands and headpads wearing out, ink cartridges running out, and switches wearing out — or damage resulting from abuse, alterations, unauthorized repairs, or use contrary to SureFire's user manuals.

Should you need a replacement product, SureFire reserves the right to replace an obsolete product with a current production, like model. In the event that any issue with a SureFire product is not covered under this warranty SureFire can arrange to have the product repaired for a reasonable fee.

**BATTERY PACK SPEC TABLE:**

B12 (XSC BATTERY)	RATING/PERFORMANCE
TYPE	Lithium Polymer w/PCM and fuel gauge
VOLTAGE	3.7V
CERTIFICATION	UN38.3
CHARGE END VOLTAGE	4.2V
DISCHARGE END VOLTAGE	2.7V
ENERGY	0.74Wh
LITHIUM CONTENT	0.06g
OPERATING TEMP RANGE (Charging)	0-45C
OPERATING TEMP RANGE (Discharging)	-10-65C
RATED CAPACITY	200mAh
STANDARD CHARGE RATE	0.5C
STORAGE TEMP RANGE	-10-45C
USB CHARGE CURRENT	100mA
USB CHARGE VOLTAGE	5V
WEIGHT	11.5g

**STANDARD DISCLAIMER**

Except as specified above or prohibited by applicable law: all express or implied conditions and warranties, including, without limitation, any implied warranty or condition of merchantability or fitness for a particular purpose, or accuracy of any informational content, are hereby excluded and disclaimed by SureFire; and in no event will SureFire be liable for any special, direct, indirect, consequential, incidental or punitive damages howsoever arising and regardless of the theory of liability, even if advised of the possibility of such damages. Products, prices, availability, specifications, and offers are subject to change or cancellation at any time without notice.

**WARRANTY CLAIMS**

For claims, contact Customer Service at 714-545-9444 to obtain a Return Merchandise Authorization number (RMA#). Then package the unit carefully and send to (no CODs):

SureFire, LLC.  
Repairs Department, RMA# \_\_\_\_\_  
17680 Newhope Street, Suite B  
Fountain Valley, CA 92708

SureFire will pay any reasonable shipping costs to return the unit to you.

Revision A 08-2020  
71-01-1113  
XSC-P365

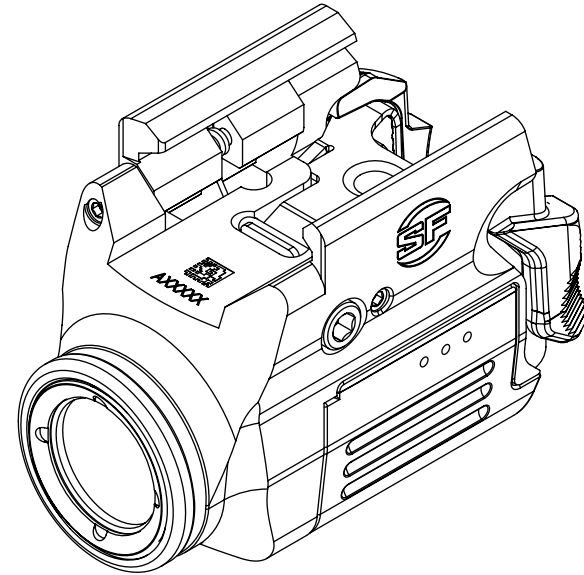


18300 MT. BALDY CIRCLE  
FOUNTAIN VALLEY, CA 92708-6122  
WWW.SUREFIRE.COM  
Patent: 9,551,550

**XSC**

**MICRO-COMPACT HANDGUN LIGHT**

XSC-P365



		XSC-P365
<b>SPECIFICATIONS</b>	OUTPUT	350 lumens
	RUNTIME	30 minutes
	PEAK BEAM INTENSITY	2,000 candela
	DISTANCE	90 meters
	CONSTRUCTION	Aluminum
	FINISH	Mil-Spec Hard Anodized
	WEIGHT (w/batteries)	1.7 ounces / 48.2 g
	LENGTH	1.94 inches / 4.9 cm
	BEZEL DIAMETER	0.78 inches / 1.9 cm
	BATTERIES	One proprietary rechargeable lithium polymer 3.7V battery
SWITCHING	Ambidextrous momentary/constant	

All performance claims tested to ANSI/NEMA FL1-2009 Standard.

**KIT CONTENTS:**

- XSC-P365 WeaponLight
- B12 Lithium Polymer Battery
- CH21 Cradle Charger
- MICRO-USB to USB Cable
- 3/32" Hex Key

**MOUNTING XSC TO A HANDGUN**

**⚠ WARNING**

ALWAYS confirm weapon is unloaded and on SAFE before attempting installation.

1. Loosen Rail-Adjustment Bolt by turning counterclockwise with the supplied hex key to adjust gap between stationary and movable Rail Guide until gap is sufficiently wide to fit over weapon accessory rail.
2. Align fixed rail with weapon's accessory rail and position the XSC below the dust cover.
3. Tighten Rail-Adjustment Bolt clockwise with the hex key until resistance is felt and then apply an additional 1/4 turn (Figure 1). Do NOT overtighten!

**BATTERY INSTALLATION**

Position battery below XSC and insert until it clicks into place (Figure 2).

**BATTERY REMOVAL**

Press battery latch lock forward toward the direction of the beam and then pull the battery downward (Figure 3).

**⚠ WARNING**

Use of substandard batteries can cause injury or property damage. Visit [www.surefire.com/batterysafety](http://www.surefire.com/batterysafety).

**⚠ BATTERY INFORMATION & WARNING**

Before replacing batteries, read the enclosed BATTERY INFORMATION/WARNING insert in your original packaging. For additional battery safety, handling, and product information, visit [www.surefire.com/batteries](http://www.surefire.com/batteries).

**BATTERY CHARGING**

The B12 battery needs to be removed from the XSC and placed into the CH21 battery charger to charge.

**HOW TO CHARGE THE BATTERY**

1. Insert the MICRO-USB cable plug into the CH21 battery charger.
2. Insert the USB cable plug into a power source.
3. Insert the B12 battery into the CH21 charger (Figure 4).

*NOTE: The three fuel gauge LEDs on the side of the battery will illuminate according to the chart below while charging and discharging.*

FUEL GAUGE LED INDICATOR		
LEDS		BATTERY CAPACITY
○ ○ ☼		0-15%
○ ○ ●		16-50%
○ ● ●		51-80%
● ● ●		81-100%

☼ = blinking ○ = off ● = on

**LIGHT OPERATION**

The XSC is designed to allow support-hand activation in both momentary-on and constant-on modes when firing right- or left-handed.

**TOGGLE SWITCHING**

**Momentary-on activation** Depress and hold either toggle switch for more than a tenth of a second or as long as needed to momentarily activate the XSC. Release to turn off. (Figure 5).

**Constant-on activation with toggle switches:** The XSC is programmed for constant-on activation by a quick tap and release action via either toggle switches. (Figure 5).

*NOTE: The light will not activate when rear switches are pushed upward or side-to-side. This intentional design feature minimizes unintended activation when drawing or holstering.*

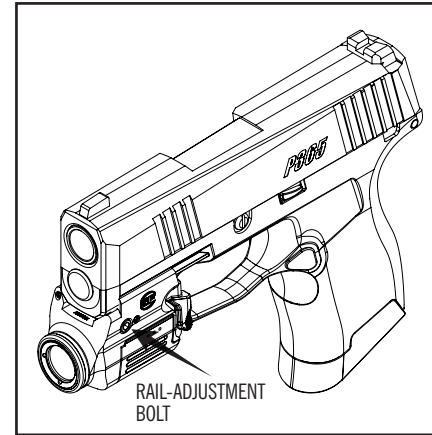
**MAINTENANCE**

Use a clean, dry cloth to wipe off body and window. For additional tips on maintaining your SureFire illumination tool, visit [www.surefire.com/faqs-maintenance](http://www.surefire.com/faqs-maintenance).

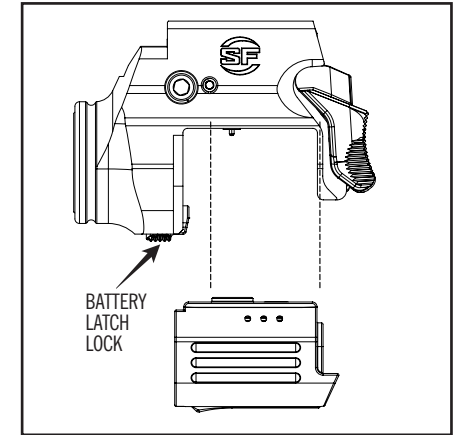
**ACCESSORIES**

SureFire makes a full line of accessories for most of its illumination tools. For a complete listing, visit [www.surefire.com/partsaccessories](http://www.surefire.com/partsaccessories).

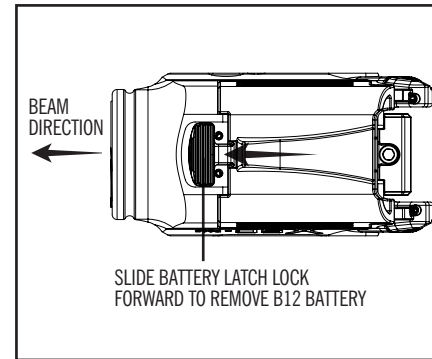
**FIGURE 1**



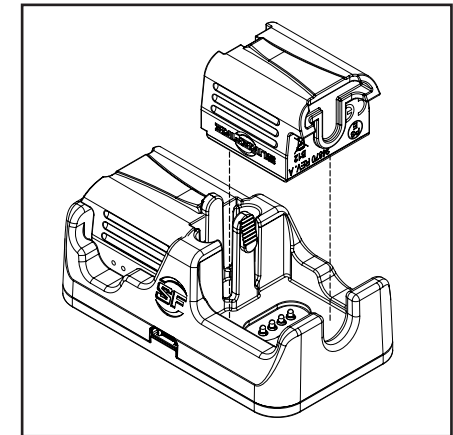
**FIGURE 2**



**FIGURE 3**



**FIGURE 4**



**FIGURE 5**

