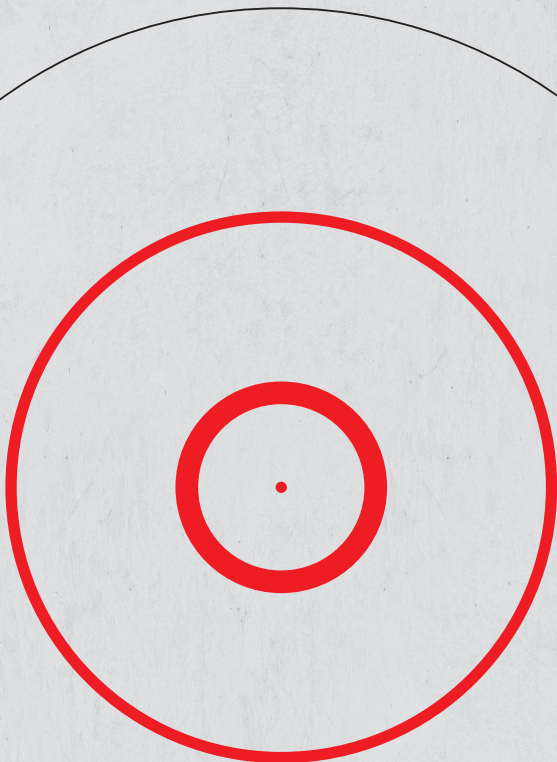


**VORTEX**

THE FORCE OF OPTICS®

**SPITFIRE® 1x**

**PRISM SCOPE**



REPLACE image

# SPITFIRE® PRISM SCOPE



## THE VORTEX SPITFIRE® 1x PRISM SCOPE

Perfect for the AR platform, the Vortex Spitfire® 1x prism scope combines a compact, prism-based design with the intuitive, glass-etched DRT (Dual Ring Tactical) reticle—providing vital speed and accuracy in close-range situations.



Dual Use: Shooting Tactical / Hunting  
Patent Pending

— Please read entire manual before using your new optic.

## CONTROLS AND ADJUSTMENTS

### Battery Installation

Remove the battery compartment cover using a coin or screwdriver. Install and orient the CR 2032 battery so the positive (+) side faces upward, then replace the cover. When replacing the cover, be sure it is fully screwed down with the o-ring seal in place.



### Illumination Control

The reticle can be used without illumination. To activate the reticle illumination, rotate the illumination dial to the left or right. The dial shows both red and green numbers, indicating five levels of brightness. Rotate the dial so the number indicating the desired color and intensity faces the shooter.

**Note:** Be sure to turn the dial to zero when done shooting to avoid running the battery down prematurely.



Rotate dial to the preferred color and intensity setting.

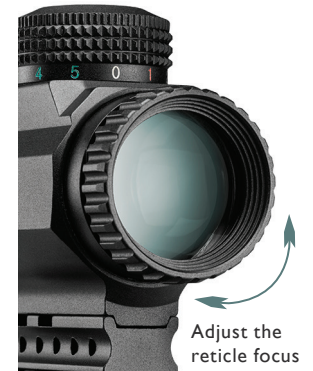
## PRISM SCOPE ADJUSTMENTS

### Reticle Focus

This Vortex Spitfire prism scope uses a *fast focus* eyepiece designed to quickly and easily provide a sharply focused reticle.

To adjust the reticle focus:

1. Look through the scope at a blank white wall or up at the sky.
2. Turn the eyepiece focus dial in or out until the reticle image is as crisp as possible.



**Note:** Try to make this particular adjustment quickly, as the eye will try to compensate for an out-of-focus reticle.

Once this adjustment is complete, it will not be necessary to re-focus every time you use the scope. However, because your eyesight may change over time, you should re-check this adjustment periodically.

### Warning

Looking directly at the sun through a scope, or any optical instrument, can cause severe and permanent damage to your eyesight.

## Windage and Elevation Adjustments

The Spitfire incorporates elevation and windage dials with audible clicks. Each small click will move the point of impact 1 Minute of Angle (MOA). 1 MOA will closely correspond to 1/4 inch at 25 yards, 1/2 inch at 50 yards and 1 inch at 100 yards.

### Adjust the settings

1. Remove the dial covers.
2. Use a coin or screwdriver to make the adjustments.
3. Turn the adjustment dial in the appropriate direction as indicated by the arrows. Move the dials in the direction you wish the bullet's point-of-impact to change.



Elevation



Windage

Rotate the adjustment dial in the direction you wish the bullet's point-of-impact to change. For example, turning the turret counter-clockwise will move the point-of-impact up or to the right.

### Example

At a 50 yard sight-in distance, it will take two clicks of the dial to move the bullet's point of impact one inch.

## MOUNTING THE SPITFIRE

Orient the Spitfire so the illumination dial faces shooter.

1. Loosen the crossbolt nut and attach the Spitfire to the rail/base, making sure that recoil lug is solidly seated in the base groove.

2. Check that the mount fully engages the base, press the Spitfire down and forward, then tighten and torque the crossbolt nut.



### Recommended Torque

Base Clamp Hex Nut  
35-45 in/lbs

**Note:** To prevent recoil injury, position it so that you have at least four inches of eye relief once the Spitfire scope is attached. Because the Spitfire has generous eye relief, the scope can be mounted further away if desired.

### Mount Heights

The Spitfire 1x prism scope comes from the factory with a mounted height of 40.4 mm from the optic center to base surface. This is commonly referred to as a lower 1/3 co-witness height. If a lower 30 mm mounted height is desired, loosen the two mount screws then remove the base clamp and mount riser. Remove the riser and reinstall the base clamp with the shorter mount screws provided in the box using a non-permanent thread-locking compound when installing the screws.

## SIGHTING IN

### Bore Sighting

After mounting, an initial bore sighting of the Spitfire at short range (25–50 yards) will save time and money at the range. This can be done using a bore sighter according to the manufacturer's instructions, or by removing the bolt on some rifles and visually sighting through the barrel.

To visually bore sight a rifle:

1. Place the rifle solidly on a rest and remove the bolt.
2. Sight through the bore and center the target inside the barrel.
3. With the bull's eye centered in the bore, make windage and elevation adjustments until the center dot is aligned over the bull's eye.

### Final Range Sight-In

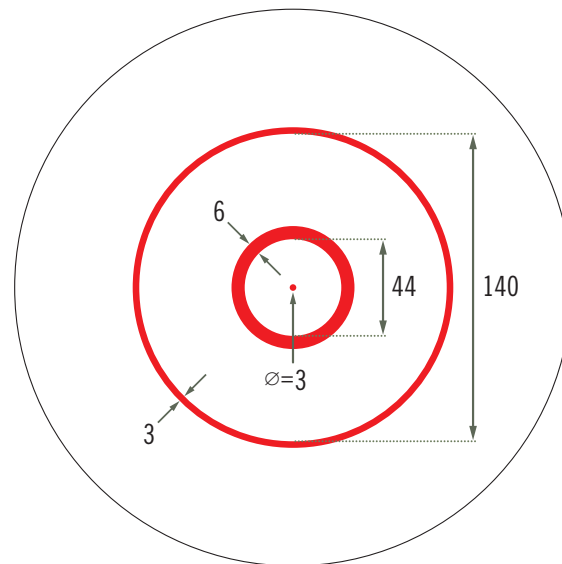
Final sight-in should be done at the range using the exact ammunition you expect to hunt or shoot with:

1. After the Spitfire has been bore sighted, fire a shot or two at your desired zero distance to check that you're roughly on target. *If necessary, adjust the dot to put you near the center of the target* (see *Windage and Elevation Adjustment* on page 6).
2. Fire a three-shot group as precisely as possible.
3. Using the center of this group as a reference, make any necessary adjustments for windage and elevation correction. Using arrows for reference, adjust dials in the direction you wish the group to move.
4. Fire a final three-shot group to confirm proper adjustment. Repeat as necessary.

## SHOOTING WITH THE SPITFIRE

The key thing to remember when shooting with the Spitfire is to keep both your eyes open! Shooting with both eyes open allows you to take full advantage of your peripheral vision to get on target very quickly. Targets can be quickly centered within the dual rings and, if desired, use the center dot for a more precise aiming point.

**Note:** If using an optional magnifier for distance shooting, you may find it easier to shoot with one eye closed due to the increased magnification.



DRT Reticle (Dual Ring Tactical)

Subensions are measured in MOA.



## TROUBLESHOOTING

Please check the following before returning a scope for service:

### If the reticle does not illuminate:

- Is the battery dead? Replace.
- Is the battery installed correctly? Be sure the battery is oriented with plus sign facing upward.
- Is the battery cover loose? Be sure cover is snug and contact points are clean.

### If bullets are not grouping:

- Be sure the crossbolt nut is tight. You should not be able to twist or move the Spitfire in any direction. Many times, problems thought to be with the scope are actually mount problems.

**Note:** For any issues not listed above, please view our online

**Troubleshooting Guide:**

» [www.vortexoptics.com/content/troubleshooting](http://www.vortexoptics.com/content/troubleshooting)

## MAINTENANCE

### Cleaning

The Vortex Spitfire requires very little routine maintenance other than to periodically clean the exterior lenses. The exterior of the scope may be cleaned by wiping with a soft, dry cloth.

When cleaning the lenses, be sure to use products that are specifically designed for use on coated optical lenses such as the Vortex Lens Pen and FogFree Cleaning Kits.

- Be sure to blow away any dust or grit on the lenses prior to wiping the surfaces.
- Using your breath, or a very small amount of water or pure alcohol, can help remove stubborn things like dried water spots.

### Lubrication

All components are permanently lubricated, so no additional lubricant should be applied.

**Note:** Do not attempt to disassemble any components of the scope.

### Storage

- Keep lens covers closed to protect the lenses when not in use.
- Remove the battery when putting in storage for extended periods.
- Avoid storage in direct sunlight or in any very hot location.
- Storage and use in extreme cold will shorten battery life.



## THE VIP WARRANTY

We build optics based on our commitment to your absolute satisfaction. That's why Vortex products are unconditionally guaranteed and we make this Very Important Promise to you—a Very Important Person.

Rest assured that in the event your Spitfire prism scope becomes damaged or defective, Vortex Optics will repair or replace the optic at no charge to you. Call Vortex Optics at 800-426-0048 for prompt, professional, and friendly service.



**Vortex Optics**  
2120 West Greenview Drive  
Middleton, WI 53562  
[service@vortexoptics.com](mailto:service@vortexoptics.com)

Visit [www.vortexoptics.com](http://www.vortexoptics.com) for more information. Canadian customers may visit [www.vortexcanada.net](http://www.vortexcanada.net) for customer service information.

**Note:** The VIP warranty does not cover theft, loss, or deliberate damage to the product.

**VORTEX**

THE FORCE OF OPTICS®

**SPITFIRE® 1x**

**PRISM SCOPE**

[www.VORTEXOPTICS.COM](http://www.VORTEXOPTICS.COM)



**#PS-SPITFIRE-1X-13A**

© Vortex Optics USA