



## HELLFIRE™



The Hellfire White Light Target Illuminator is an ultra high-output spotlight designed for use on .50 caliber machine guns. It can also be used as a vehicle-mounted spotlight, or it can be detached and used as a hand-held unit.

The Hellfire uses a xenon-filled high-intensity discharge (HID) arc lamp to produce 3,000 lumens of blinding white light, perfectly focused to reach hundreds of yards into the darkest night. Because HID lamps have no filament to break or burn out, they are extremely resistant to mechanical shock and vibration and should rarely need replacing. An additional benefit: they are very efficient — for an equivalent power input they provide more than twice the lumens of incandescent lamps.

The Hellfire is controlled by a grip/switch unit that replaces one of the original machine gun grips, and by a separate cable equipped with a constant-on/off switch. Power is supplied by either a 12-volt auto battery or by 5590 military batteries. Either power source may be connected to the Hellfire with the included 10-foot cable, which is equipped with two plugs for 5590 batteries and integrated DC adapter for a standard vehicle accessory socket.

The Hellfire spotlight and mounting hardware can be ordered separately or as a complete system ready to mount on an M2-HB machinegun's heat shroud. Two other machinegun mounts are also available — one for attachment to an M2-HB equipped with a ballistic shield, and one for attachment to an M44 Minigun, whether equipped with a ballistic shield or not. Vehicle mounting hardware is sold separately.

Constructed of Mil-Spec hard-anodized aluminum alloy, the Hellfire spotlight is gasket and O-ring sealed for reliable functioning in harsh environments. Complete Hellfire systems, including mount and IR filter, come in a watertight, lockable hardshell case with foam-padded interior.



# HELLFIRE™



MODEL NUMBER: HF M2 HB-240B

patent pending

## Power Source 12VDC

- Auto battery (with included cigarette lighter adapter)
- One or two 5590 military batteries

## Runtime

- Auto battery: Continuous
- 5590 military battery: One battery (not recommended, emergency use only)  
Two batteries parallel: Approximately 8 hours

## Lamps/Output

- One Philips 35W D1S HID lamp. Approximately 3,000 lumens output

## Electronics

- Proprietary electronics, EMI shielded, insulated and shock mounted inside bezel

## Reflector

- CNC machined, aluminum alloy, optimized parabolic shape, coated with proprietary plating for maximum illumination

## Bezel

- 4.1 inch diameter, resting in a proprietary shock mount ring design

## Bezel Lens

- 5mm thick multi-coated Pyrex®

## Filter

- 5mm thick multi-coated amber held in a pivoting mount

## Body

- Aluminum alloy with carry handle and integrated T-slot mounting feature

## Switches

- Momentary & Constant-On:
  - One (1) mounted in light body
  - One (1) mounted in proprietary grip design (replaces one grip handle on machine gun, click-on/ off switch on grip handle is activated with index finger)

## Mount System

- Slides onto proprietary T-slot mount base, which is attached to the .50 caliber machine gun sleeve.
- Picatinny rail system incorporated for mounting attachments
- Can also be used as a vehicle-mounted or hand-held spotlight (vehicle mounting hardware sold separately).

## Length

- 8.0 inches (complete body and bezel assembly)

## Cable Length

- 10.0 feet

## Weight

- 10.0 lbs. (light assembly and mount combined)

## Water Resistant

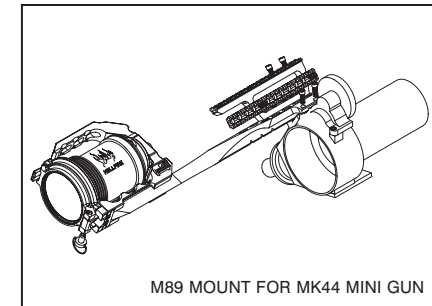
- O-ring seals and rubber gaskets at critical mechanical mating surfaces

## Finish

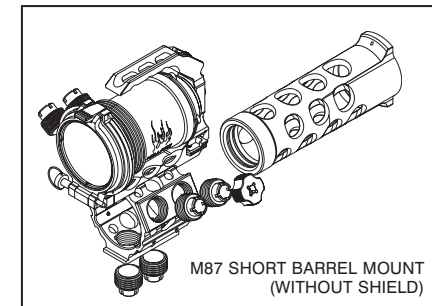
- Hard-anodized 'NL' grey MIL-A-8625 type III class 2

## Storage

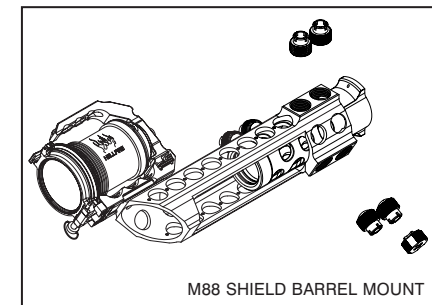
- Weather proof, lockable, hardshell case with formed foam insert



M89 MOUNT FOR MK44 MINI GUN



M87 SHORT BARREL MOUNT (WITHOUT SHIELD)



M88 SHIELD BARREL MOUNT