

---

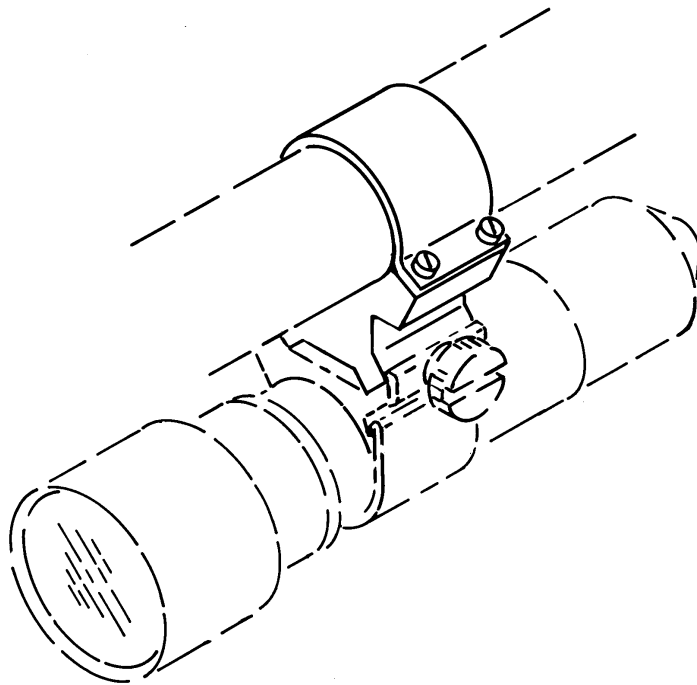
**SUREFIRE®**

Model M11

26mm Ring Mount

---

*Users Manual*



---

**Model M11**  
**26MM Ring Mount**



## **Model M11 Mount**

---

### **Introduction**

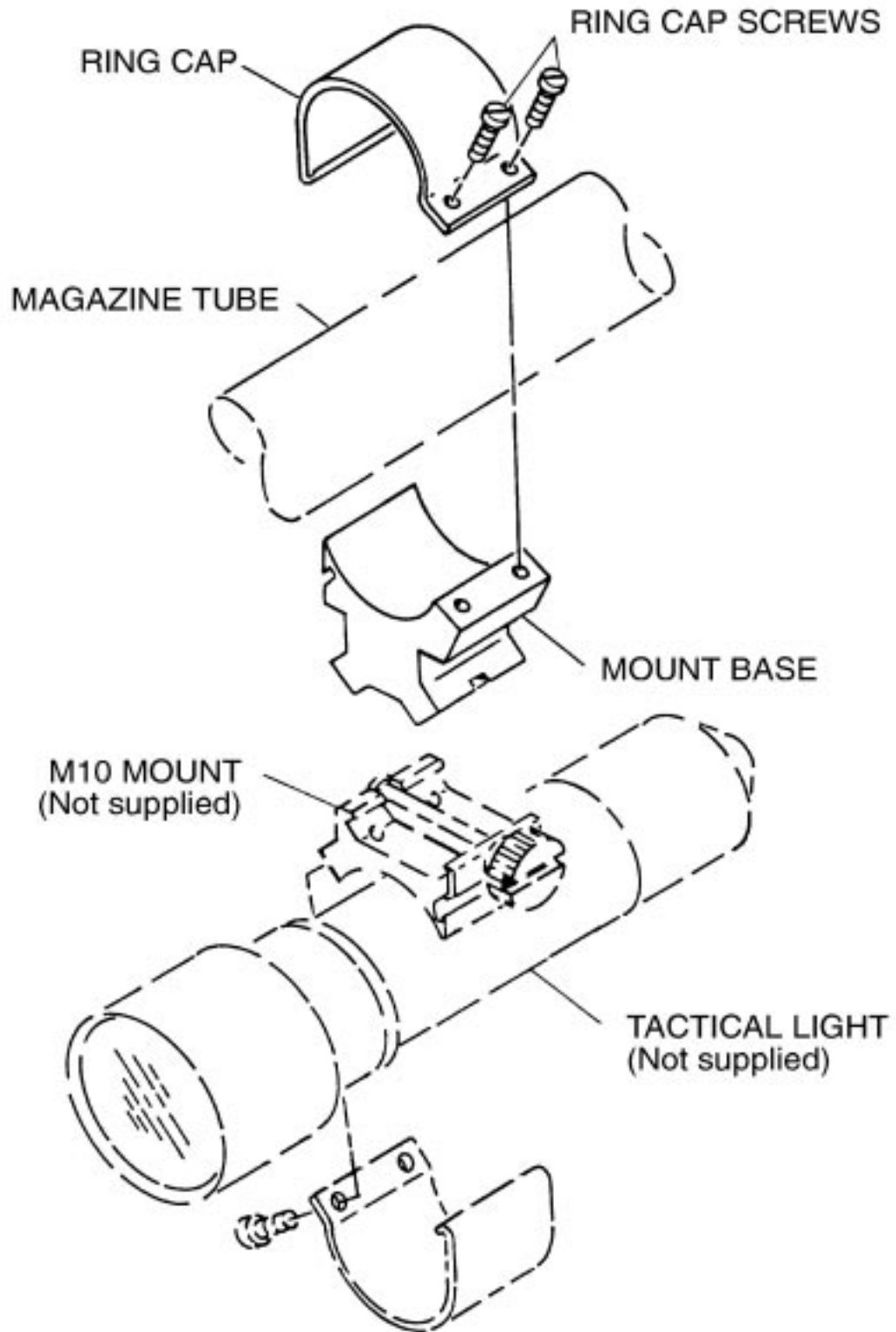
The Model M11 provides a Tactical Light Mount base for weapons with 26mm diameter magazine tubes.

### **Installation**

1. Remove the two Ring Cap Screws from the Mount Base.
2. Place the Mount Base against the Magazine Tube.
3. Position hook end of Ring Cap in notch of Mount Base and press Ring Cap down over Magazine Tube.
4. Replace the Ring Cap Screws and tighten until secure.
5. Attach the Mount Base to the M10 Mount (not supplied) by unscrewing the Thumb Nut in the Mount Base enough to allow the Mount Base to slide into place on the M10 Mount. Be sure the Crossbolt in the Mount Base fits into the groove in the M10 Mount and tighten Thumb Nut.

### **Kit Contents**

M11 Mount  
Users Manual



## Model M11 Mount

---

### Repairs & Replacements

To obtain repair or replacement call Customer Service at 800-828-8809 (toll free) or 714-545-9444 and obtain a Return Authorization number (RA). Then pack the unit carefully and return (no COD's please) to:

Laser Products  
Repairs Department, RA# \_\_\_\_\_  
18300 Mt. Baldy Circle  
Fountain Valley, CA 92708

Laser Products will pay any reasonable shipping costs to return the unit to you.

### Warranty

Laser Products warrants that its products will be free from defects in materials and workmanship. Laser Products will repair or replace (at its option), without charge, any product or part which is found to be defective under normal use and service. Such repair or replacement shall be the purchaser's sole and exclusive remedy under this warranty. This warranty does not include normal maintenance and services and does not apply to any products or parts which have been subject to modification, misuse, negligence, accident, improper maintenance or repair by anyone other than Laser Products.

#### *"Fine Print" Warranty Limitation*

*There is no other express warranty. Laser Products hereby disclaims any and all implied warranties, including, but not limited to fitness for a particular purpose. Laser Products shall not be liable for incidental, consequential, or special damages arising out of, or in connection with product use or performance.*

um\_M11\_5.a01