

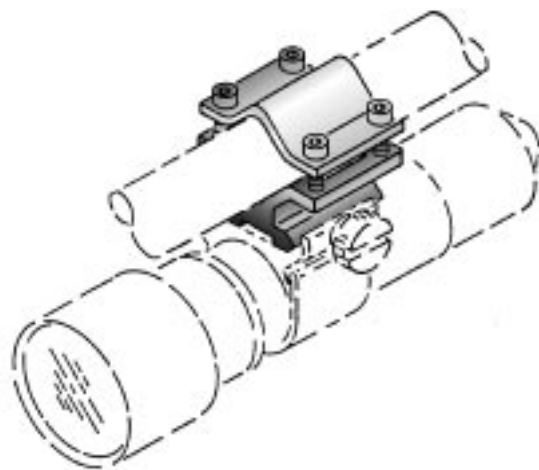
---

***SUREFIRE***®

Rifle Barrel Mount

---

*Users Manual*



## Description

---

The Model M14 Mount provides a Tactical Light mounting base for weapon barrels from 0.5 to 0.75 inches diameter.

## Kit Contents

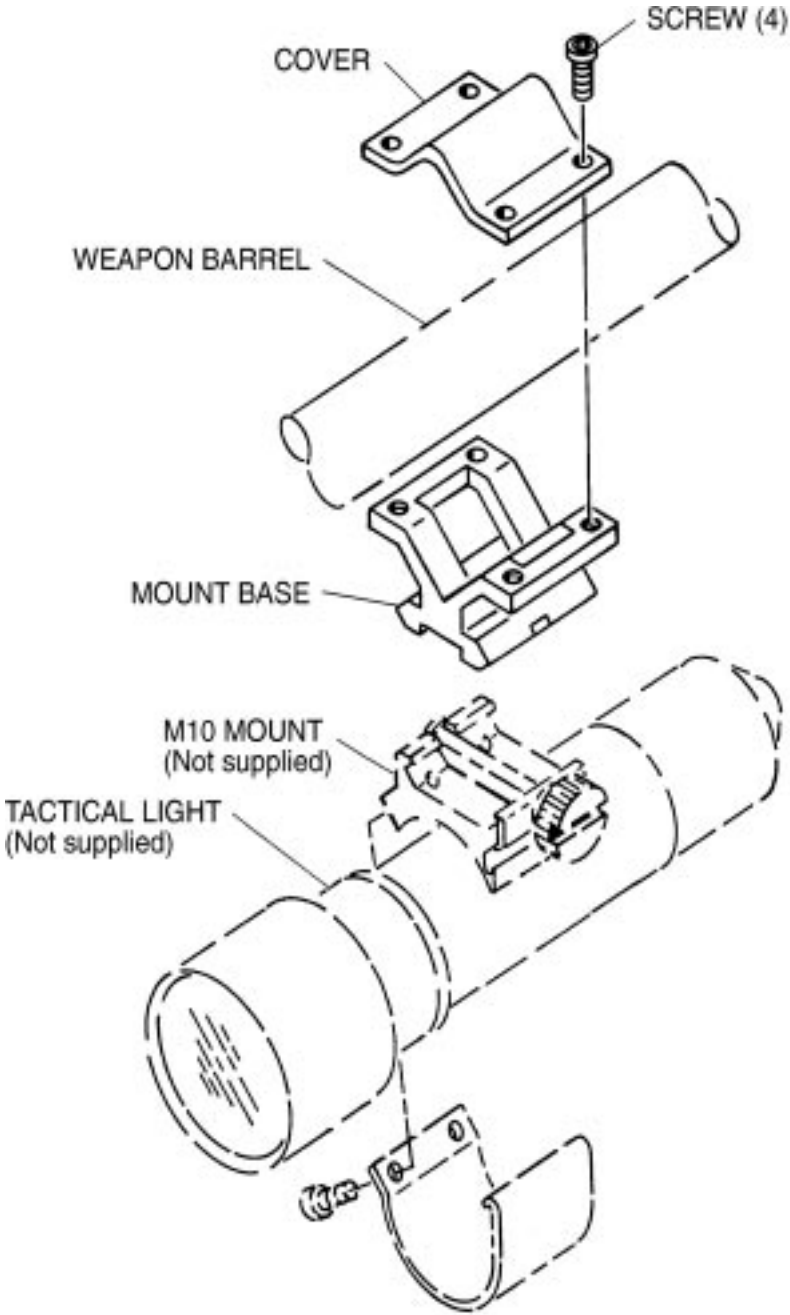
- M14 Mount
- Hex Wrench
- Users Manual

## Installation

1. Determine mounting location on weapon.
2. Put Mount Base and Cover in place and determine which length Screws should be used. (both  $\frac{1}{2}$  and  $\frac{3}{4}$ inch screws are provided) depending on barrel diameter.
3. Install four Screws and tighten finger tight, keep the gap between each side of mount parts equal.
4. Make final positioning adjustment and tighten all four Screws equally using the Hex Wrench provided.
5. Attach the Mount Base to the M10 Mount (not supplied) by unscrewing the Thumb Nut enough to allow the Mount Base to slide into place on the M10 Mount. Be sure the Crossbolt fits into the groove in the M14 Mount and tighten Thumb Nut.

# Model M14 Mount

---



## Model M14 Mount

---

### Repairs & Replacements

To obtain repair or replacement call Customer Service at 800-828-8809 (toll free) or 714-545-9444 and obtain a Return Authorization number (RA). Then pack the unit carefully and return (no COD's please) to:

Laser Products  
Repairs Department, RA# \_\_\_\_  
18300 Mt. Baldy Circle  
Fountain Valley, CA 92708-6122

Laser Products will pay any reasonable shipping costs to return the unit to you.

### Warranty

Laser Products warrants that its products will be free from defects in materials and workmanship. Laser Products will repair or replace (at its option), without charge, any product or part which is found to be defective under normal use and service. Such repair or replacement shall be the purchaser's sole and exclusive remedy under this warranty. This warranty does not include normal maintenance and services and does not apply to any products or parts which have been subject to modification, misuse, negligence, accident, improper maintenance or repair by anyone other than Laser Products.

#### *"Fine Print" Warranty Limitation*

*There is no other express warranty. Laser Products hereby disclaims any and all implied warranties, including, but not limited to fitness for a particular purpose. Laser Products shall not be liable for incidental, consequential, or special damages arising out of, or in connection with product use or performance.*

um\_M14\_7.A01

18300 Mt Baldy Circle, Fountain Valley, CA 92708-6122 714 545-9444  
www.surefire.com