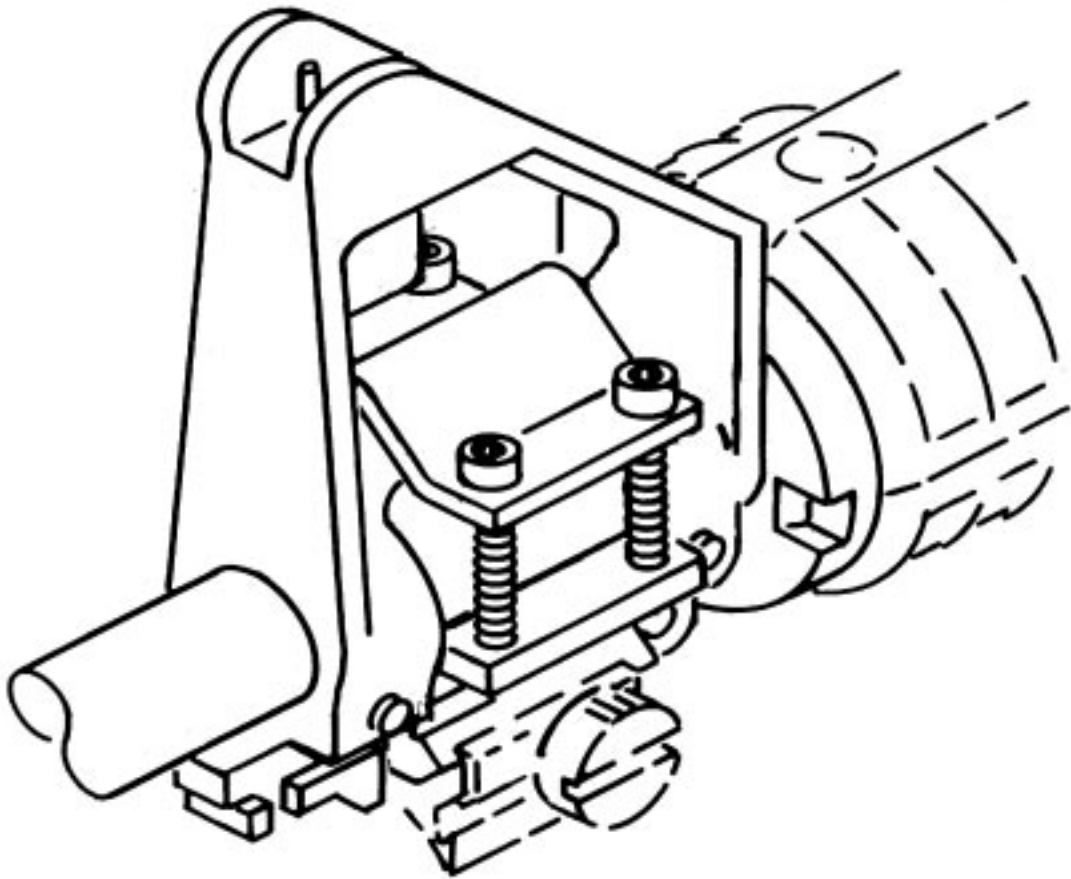

SUREFIRE®

Model M16
Colt SMG,
AR15 & M16 Mount Base

Users Manual



Revision C 12_1_95



Model M16 Mount

Installation

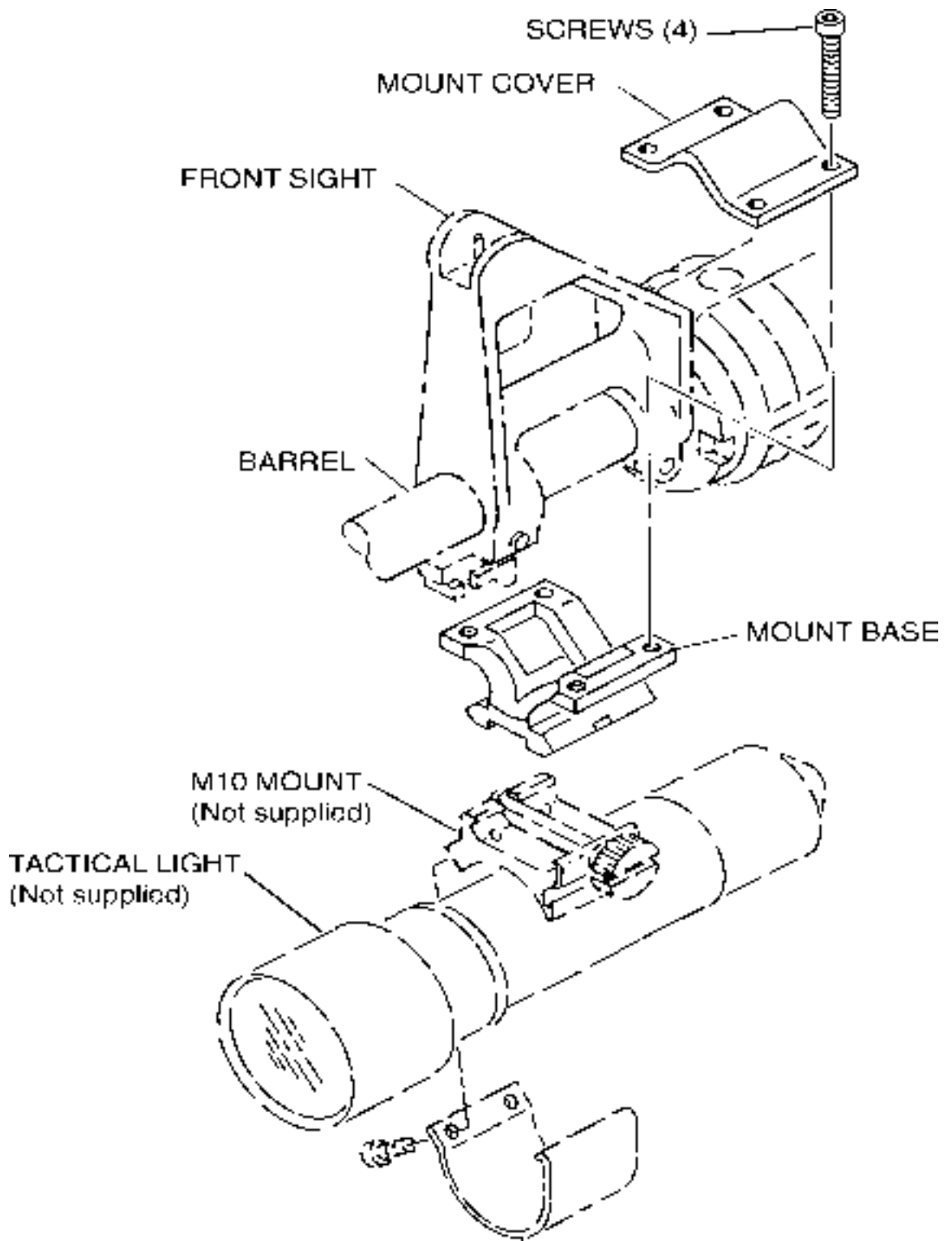
The M16 Mount provides a mounting base on the Colt SMG, AR15, and M16 weapons.

Note: In order to use the M16 Mount on the SMG, the sling swivel must be removed.

1. Position the Mount Cover over the gas tube bar in the center of the arms of the front sight mount and place the Mount Base against the bottom of the sight.
2. Install the four Screws finger tight, keeping the gap between each side of the two mount parts equal.
3. Do final positioning and then tighten all four screws equally using the Hex Wrench provided. DO NOT OVER TIGHTEN.
4. Attach the Mount Base to the M10 Mount (not supplied) by unscrewing the Thumb Nut enough to allow the Mount Base to slide into place on the M10 Mount. Be sure the Crossbolt fits into the groove in the M16 Mount and tighten Thumb Nut.

Kit Contents

- M16 Mount
- Hex Wrench
- Users Manual



Model M16 Mount

Repairs & Replacements

To obtain repair or replacement call Customer Service at 800-828-8809 (toll free) or 714-545-9444 and obtain a Return Authorization number (RA). Then pack the unit carefully and return (no COD's please) to:

Laser Products
Repairs Department, RA# _____
18300 Mt. Baldy Circle
Fountain Valley, CA 92708

Laser Products will pay any reasonable shipping costs to return the unit to you.

Warranty

Laser Products warrants that its products will be free from defects in materials and workmanship. Laser Products will repair or replace (at its option), without charge, any product or part which is found to be defective under normal use and service. Such repair or replacement shall be the purchaser's sole and exclusive remedy under this warranty. This warranty does not include normal maintenance and services and does not apply to any products or parts which have been subject to modification, misuse, negligence, accident, improper maintenance or repair by anyone other than Laser Products.

Fine Print" Warranty Limitation

There is no other express warranty. Laser Products hereby disclaims any and all implied warranties, including, but not limited to fitness for a particular purpose. Laser Products shall not be liable for incidental, consequential, or special damages arising out of, or in connection with product use or performance.

um_M16_5.A01