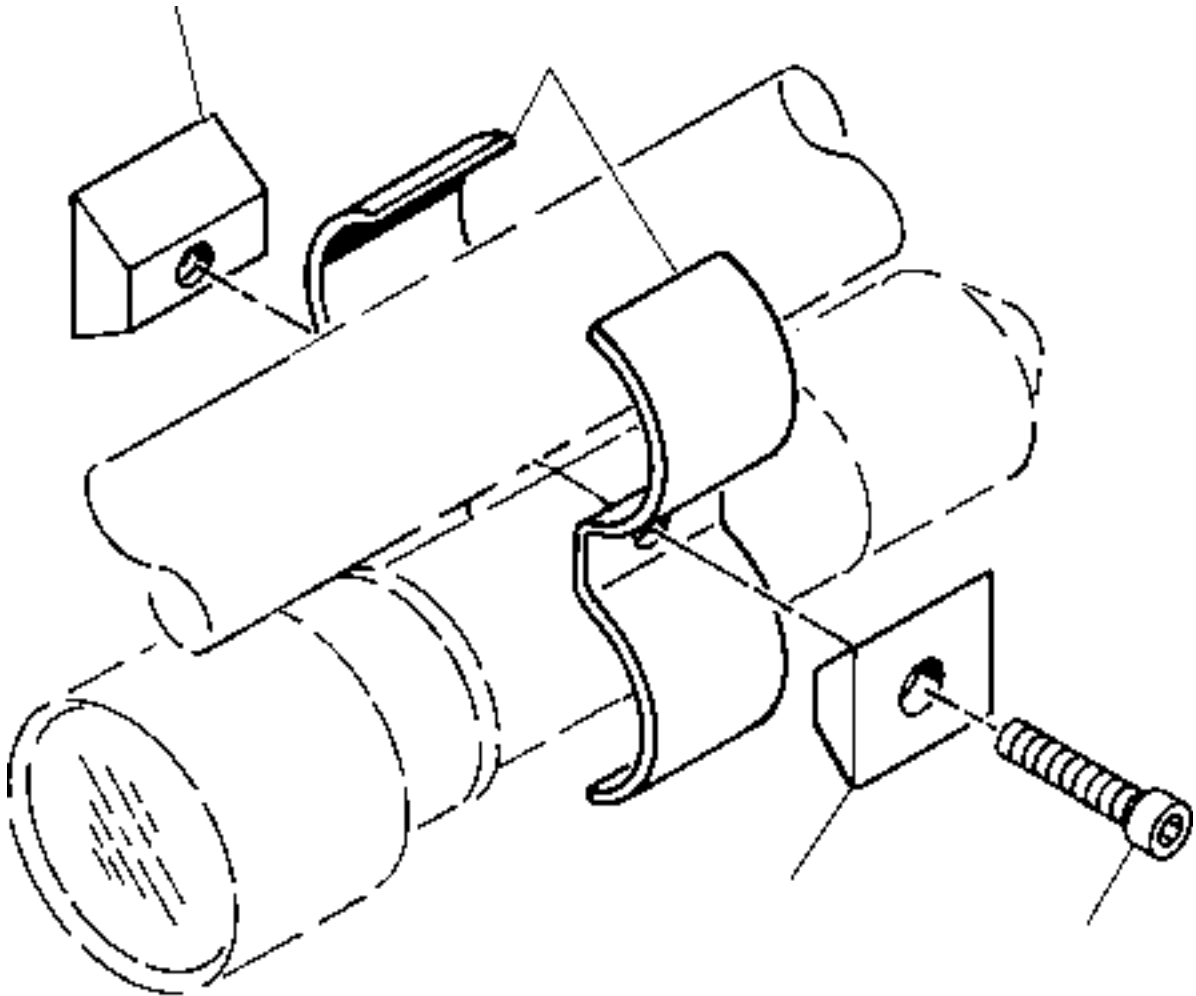

SUREFIRE®

Model M17
Dual 1" Ring Mount

Users Manual



Model M17 Mount

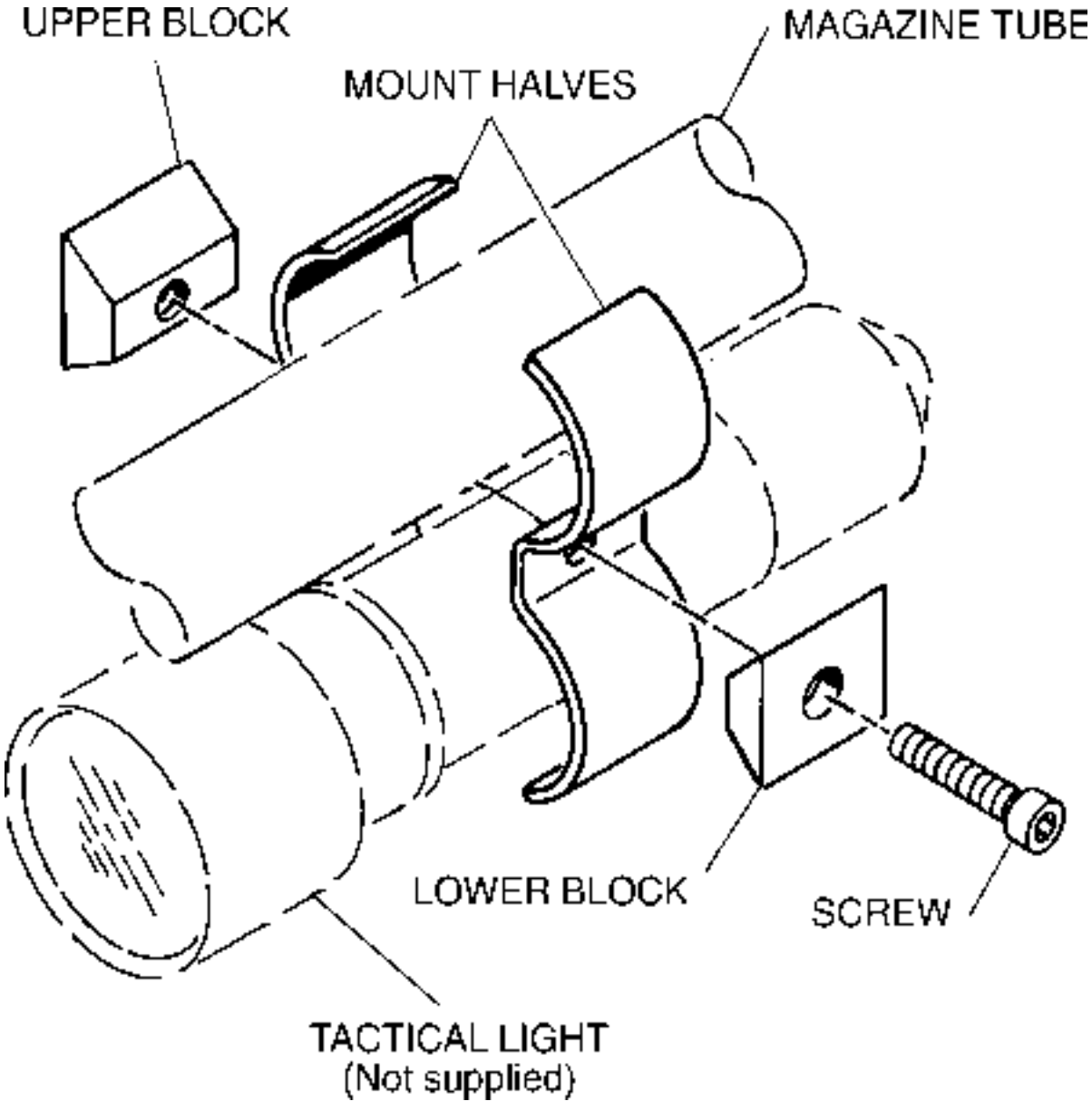
Installation

The Model M17 Dual Ring Mount provides two ring mounts for mounting to tubes having a diameter between 0.9 and 1.1 inches, such as 26 mm and 1 inch diameter shotgun magazine tubes, the A12 and A13 adapters and the 1 inch diameter portion of the L60 lamp module.

1. Select a mounting location on the weapon so that the addition of the mount will not interfere with the operation of the weapon.
2. Remove the Screw from the mount.
3. Place one of the halves on each side of the weapon.
4. Install the module to be added into the mount.
5. Reinstall the Screw and tighten finger tight.
6. Position the Mount in the desired position and tighten the Screw securely with the Hex Wrench provided in the Kit.

Kit Contents

- M17 Mount
- Hex Wrench
- Users Manual



Model M17 Mount

Repairs & Replacements

To obtain repair or replacement call Customer Service at 800-828-8809 (toll free) or 714-545-9444 and obtain a Return Authorization number (RA). Then pack the unit carefully and return (no COD's please) to:

Laser Products
Repairs Department, RA# ____
18300 Mt. Baldy Circle
Fountain Valley, CA 92708

Laser Products will pay any reasonable shipping costs to return the unit to you.

Warranty

Laser Products warrants that its products will be free from defects in materials and workmanship. Laser Products will repair or replace (at its option), without charge, any product or part which is found to be defective under normal use and service. Such repair or replacement shall be the purchaser's sole and exclusive remedy under this warranty. This warranty does not include normal maintenance and services and does not apply to any products or parts which have been subject to modification, misuse, negligence, accident, improper maintenance or repair by anyone other than Laser Products.

"Fine Print" Warranty Limitation

There is no other express warranty. Laser Products hereby disclaims any and all implied warranties, including, but not limited to fitness for a particular purpose. Laser Products shall not be liable for incidental, consequential, or special damages arising out of, or in connection with product use or performance.

um_M17_6.201