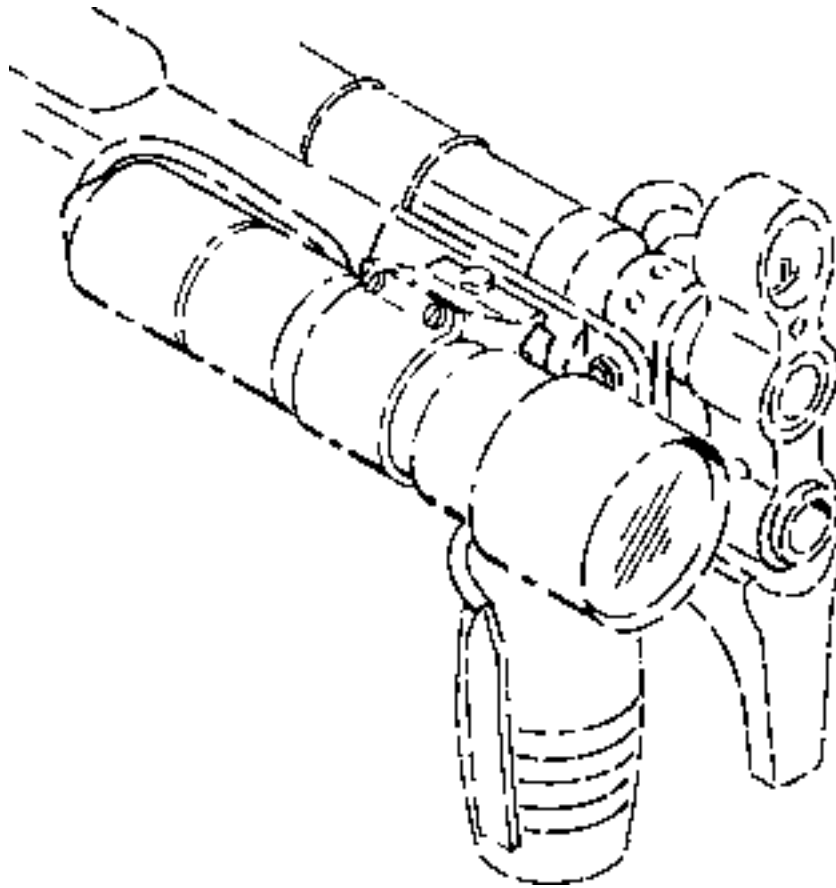

Model M18

SUREFIRE®

Mount Base For MP5K

Users Manual



Model M18 Mount

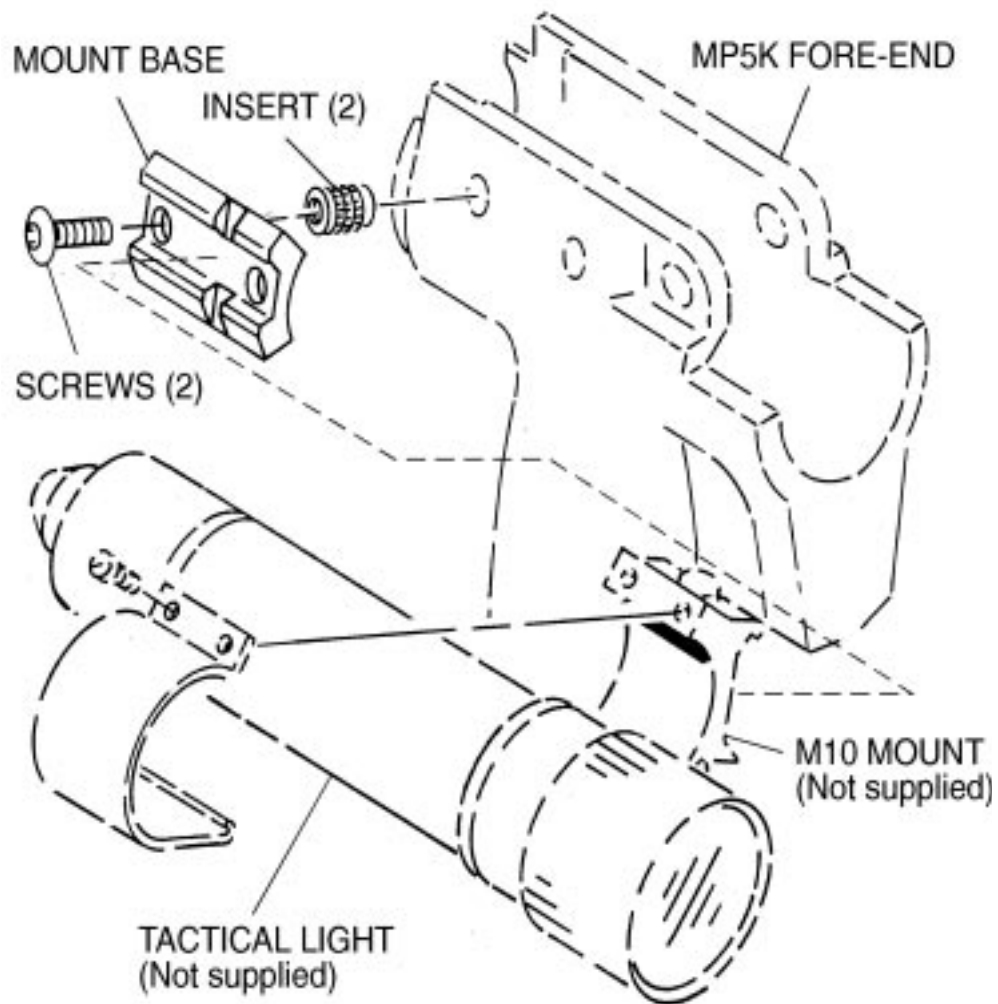
Installation

The Model M18 Mount is used for mounting to sides of fore-ends such as on the MP5K.

1. Position Mount Base on flat section at the top of the right side of grip. Locate so the bottom side of mount is in full contact with flat surface.
2. Mark the location of one of the holes.
3. Drill one hole in grip being sure that the drill is kept perpendicular to the flat surface.
4. Position barbed brass insert over hole and press in place using a small heated soldering iron. Remove iron and allow to cool. Use a razor blade to remove any plastic pushed out of the hole during heating. Insert should be flush with outside surface.
5. Install Mount Base base using button head screw and secure in place using Hex Wrench from Kit.
6. Carefully mark location for second hole. Drill pilot hole if the right size drill is available.
7. Loosen screw and move Mount Base out of the way. Drill second hole.
8. Repeat 4 and 5 above.
9. Install 2nd screw and secure in place using Hex Wrench from Kit.
10. Attach M10 Mount (not included) to Mount Base by unscrewing Thumb Nut on the M10 Mount enough to allow M10 Mount to slide into place on Mount Base. Be sure the Crossbolt in the in the M10 Mount fits into the groove on the Mount Base, then tighten Thumb Nut.
11. Place Tactical Light on the Mount Base. Place Ring Cap in Notch of Mount Base.
12. Install Ring Cap Screws and tighten to a loose fit. Position Tactical Light where desired. Tighten Ring Cap Screws.

Kit Contents

- M18 Mount Base
- Drill
- Inserts (2)
- Screws (2)
- Hex Wrench
- Users Manual



Model M18 Mount

Repairs & Replacements

To obtain repair or replacement call Customer Service at 800-828-8809 (toll free) or 714-545-9444 and obtain a Return Authorization number (RA). Then pack the unit carefully and return (no COD's please) to:

Laser Products
Repairs Department. RA# _____
18300 Mt. Baldy Circle
Fountain Valley, CA 92708

Laser Products will pay any reasonable shipping costs to return the unit to you.

Warranty

Laser Products warrants that its products will be free from defects in materials and workmanship. Laser Products will repair or replace (at its option), without charge, any product or part which is found to be defective under normal use and service. Such repair or replacement shall be the purchaser's sole and exclusive remedy under this warranty. This warranty does not include normal maintenance and services and does not apply to any products or parts which have been subject to modification, misuse, negligence, accident, improper maintenance or repair by anyone other than Laser Products.

"Fine Print" Warranty Limitation

There is no other express warranty. Laser Products hereby disclaims any and all implied warranties, including, but not limited to fitness for a particular purpose. Laser Products shall not be liable for incidental, consequential, or special damages arising out of, or in connection with product use or performance.

um_M18_6.201

18300 Mt Baldy Circle, Fountain Valley, CA 92708 714 545-9444