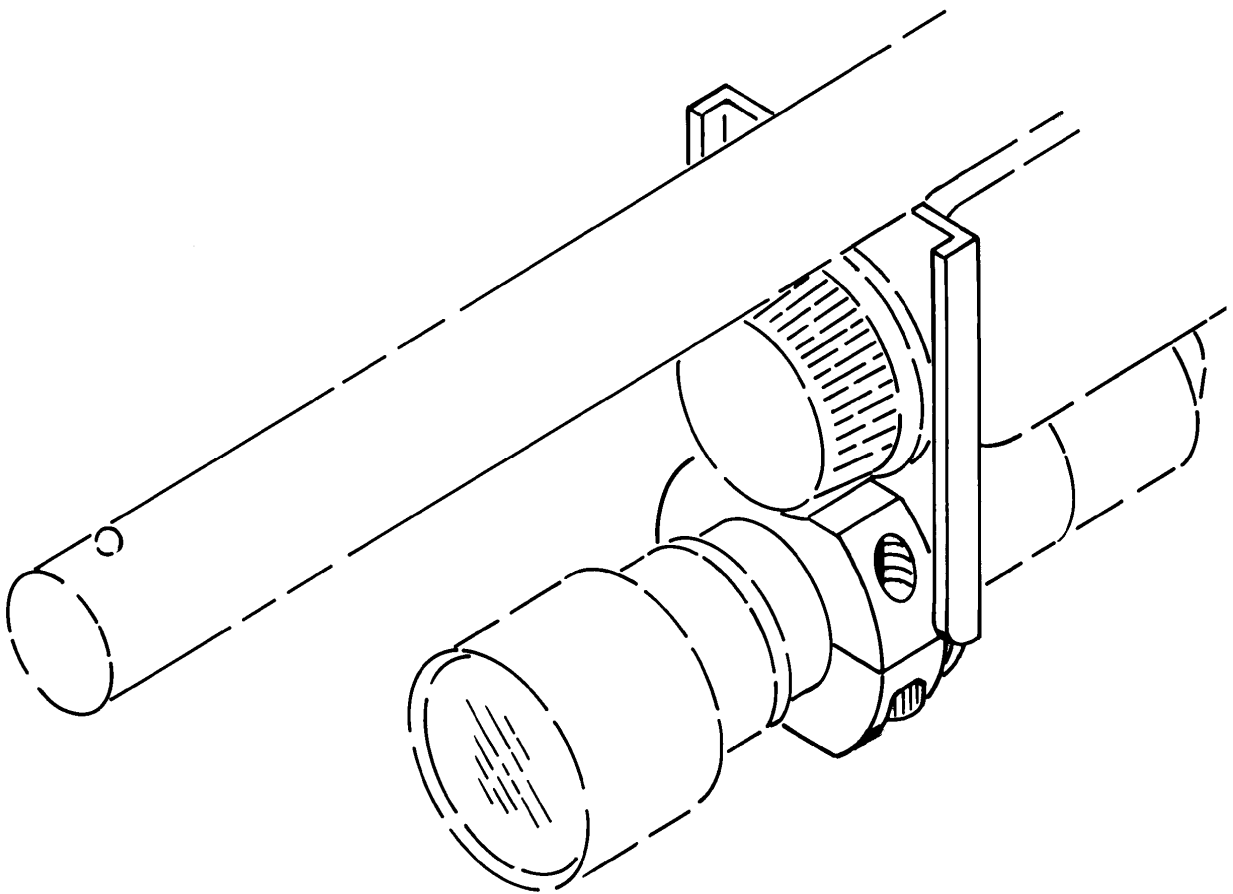

SUREFIRE®

Model M19
Ring Mount,
Remington 1100/1187

Users Manual



Model M19 Mount

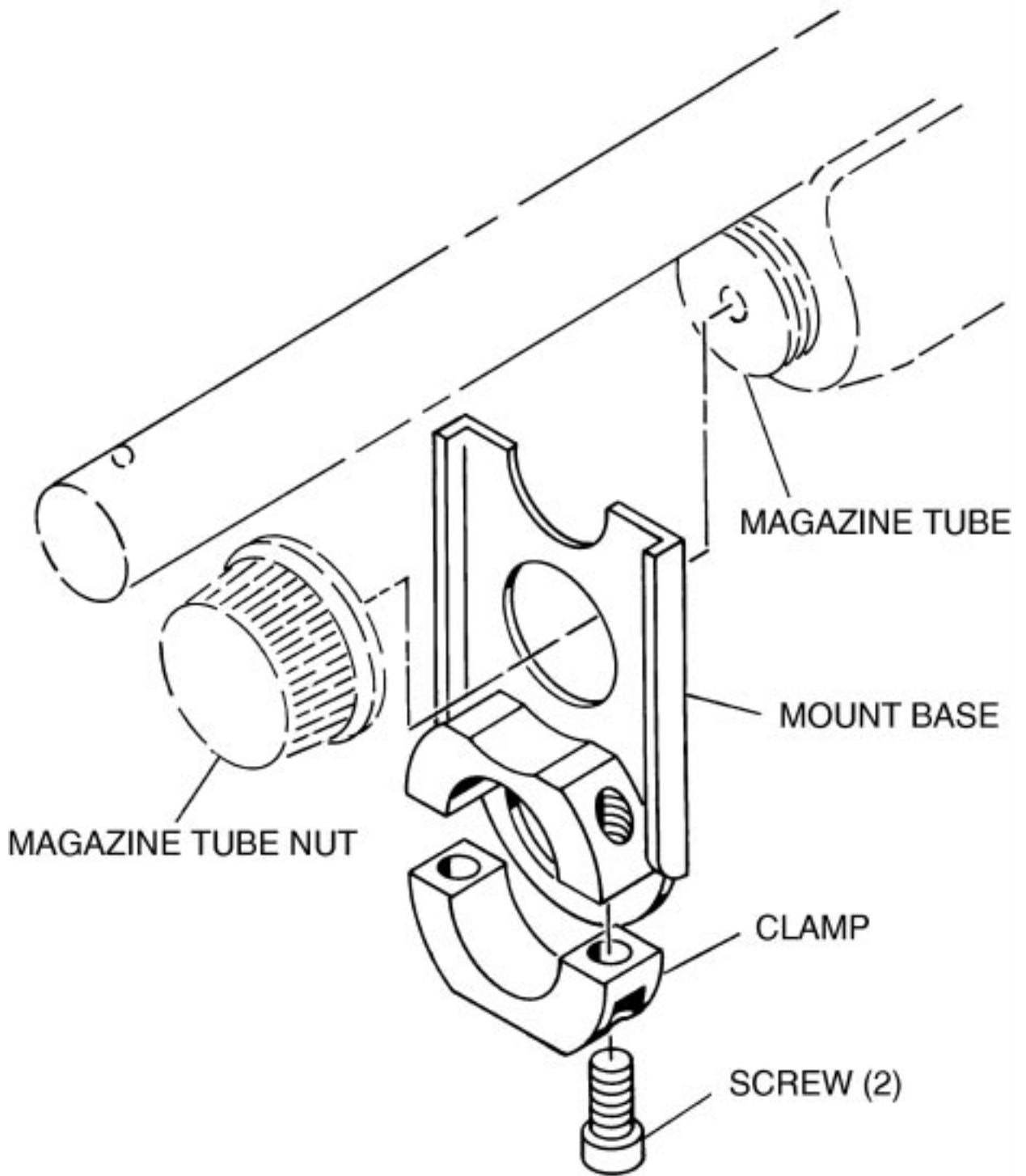
Installation

The Model M19 Mount is used to mount a Universal Housing to an automatic shotgun.

1. Remove the Magazine Tube Nut from the shotgun.
2. Slide the Mount Base onto the Magazine Tube, install and tighten the Magazine Tube Nut.
3. Loosen the two Screws in the clamp.
4. Slide the Tactical Light (not supplied) into the Clamp.
5. Use the Hex Wrench supplied in the Kit to tighten the Screws, keep the gap between the Clamp and the Mount even on both sides.

Kit Contents

- M19 Mount
- Hex Wrench
- Users Manual



Model M19 Mount

Repairs & Replacements

To obtain repair or replacement call Customer Service at 800-828-8809 (toll free) or 714-545-9444 and obtain a Return Authorization number (RA). Then pack the unit carefully and return (no COD's please) to:

Laser Products
Repairs Department, RA# _____
18300 Mt. Baldy Circle
Fountain Valley, CA 92708

Laser Products will pay any reasonable shipping costs to return the unit to you.

Warranty

Laser Products warrants that its products will be free from defects in materials and workmanship. Laser Products will repair or replace (at its option), without charge, any product or part which is found to be defective under normal use and service. Such repair or replacement shall be the purchaser's sole and exclusive remedy under this warranty. This warranty does not include normal maintenance and services and does not apply to any products or parts which have been subject to modification, misuse, negligence, accident, improper maintenance or repair by anyone other than Laser Products.

"Fine Print" Warranty Limitation

There is no other express warranty. Laser Products hereby disclaims any and all implied warranties, including, but not limited to fitness for a particular purpose. Laser Products shall not be liable for incidental, consequential, or special damages arising out of, or in connection with product use or performance.

um_M19_5.A01

18300 Mt Baldy Circle, Fountain Valley, CA 92708 714 545-9444