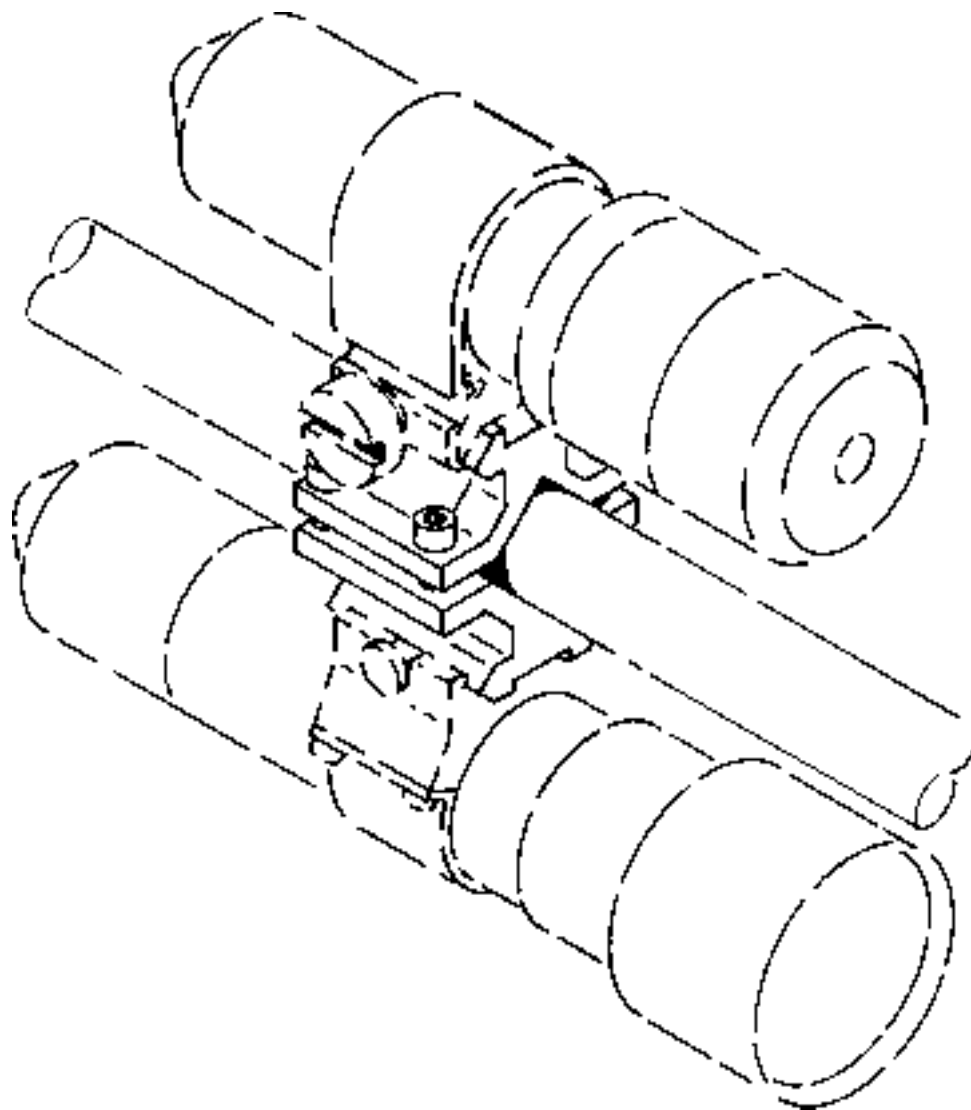

SUREFIRE®

**Model M20
Dual Male
Weaver Mount**

Users Manual



Model M20 Mount

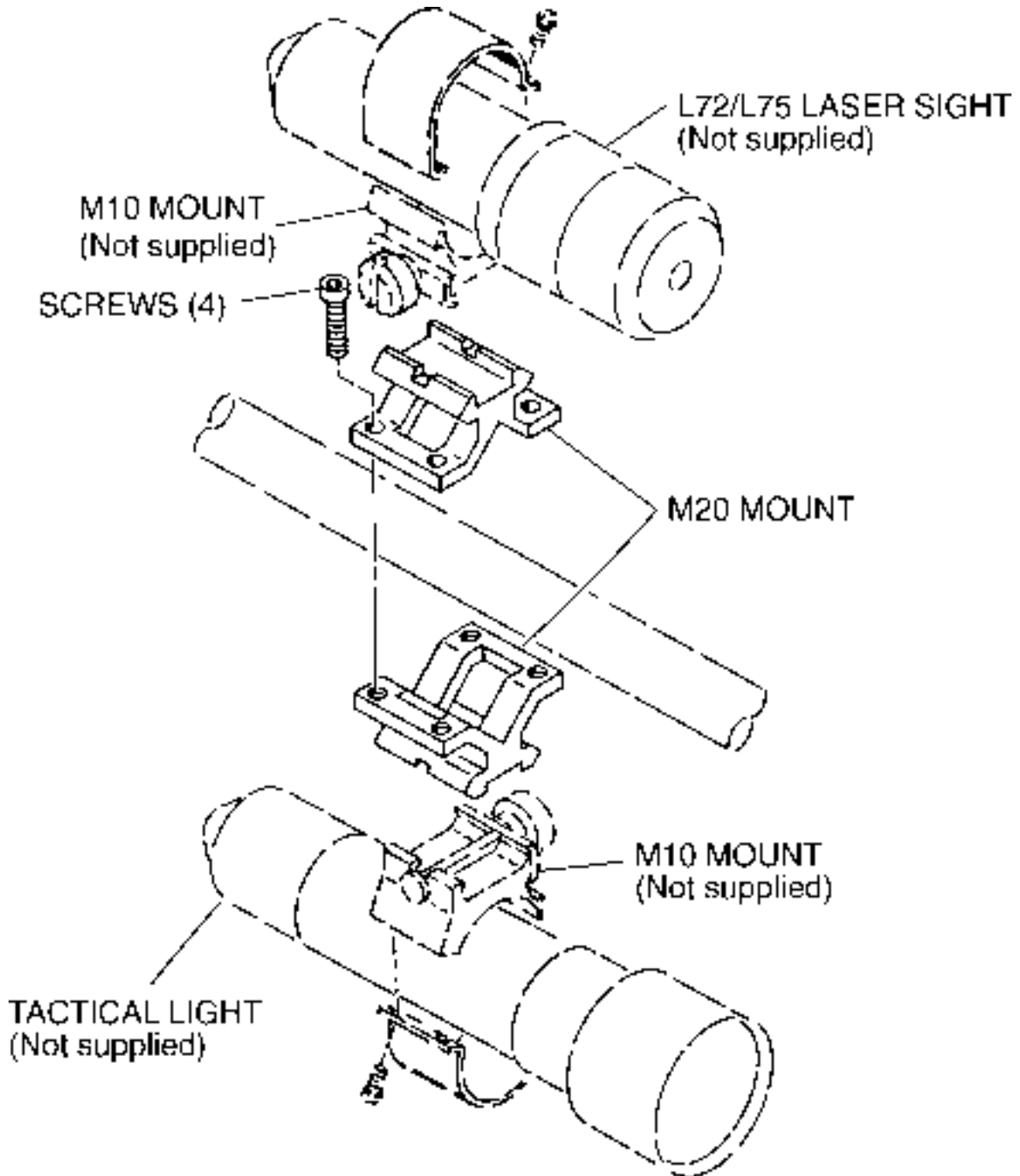
Installation

The Model M20 Dual Male Weaver Mount provides two mounting bases for weapons with barrel diameters between 0.4 and 0.75 inches.

1. Select a mounting location on the weapon.
2. Position the mount parts in place on the Barrel and select the proper length Screws from the Kit, either 1/2 or 3/4 inch in length, depending on the diameter of the barrel.
3. Install the four Screws finger tight with the gap between the mount parts equal on both sides of the mount.
4. Determine the final position for the Mount then tighten all four Screws equally using the Hex Wrench provided in the Kit. **DO NOT OVERTIGHTEN.**
5. Attach the Mount Base to the M10 Mount (not supplied) by unscrewing the Thumb Nut enough to allow the M10 Mount to slide onto the Mount Base. Be sure the Crossbolt fits into the groove in the Mount Base and tighten the Thumb Nut.
6. Remove the two screws from the M10 Mount (not Supplied) and place the Ring Cap over the Tactical Light or Universal Housing and position the hook end of the Ring Cap in the notch of the M10 Mount and press down. Reinstall Ring Cap Screws and tighten.

Kit Contents

- M20 Mount
- 1/2 and 3/4 Screws
- Hex Wrench
- Users Manual



Model M20 Mount

Repairs & Replacements

To obtain repair or replacement call Customer Service at 800-828-8809 (toll free) or 714-545-9444 and obtain a Return Authorization number (RA). Then pack the unit carefully and return (no COD's please) to:

Laser Products
Repairs Department, RA# _____
18300 Mt. Baldy Circle
Fountain Valley, CA 92708

Laser Products will pay any reasonable shipping costs to return the unit to you.

Warranty

Laser Products warrants that its products will be free from defects in materials and workmanship. Laser Products will repair or replace (at its option), without charge, any product or part which is found to be defective under normal use and service. Such repair or replacement shall be the purchaser's sole and exclusive remedy under this warranty. This warranty does not include normal maintenance and services and does not apply to any products or parts which have been subject to modification, misuse, negligence, accident, improper maintenance or repair by anyone other than Laser Products.

"Fine Print" Warranty Limitation

There is no other express warranty. Laser Products hereby disclaims any and all implied warranties, including, but not limited to fitness for a particular purpose. Laser Products shall not be liable for incidental, consequential, or special damages arising out of, or in connection with product use or performance.

um_M20_5.A01

18300 Mt Baldy Circle, Fountain Valley, CA 92708

714 545-9444