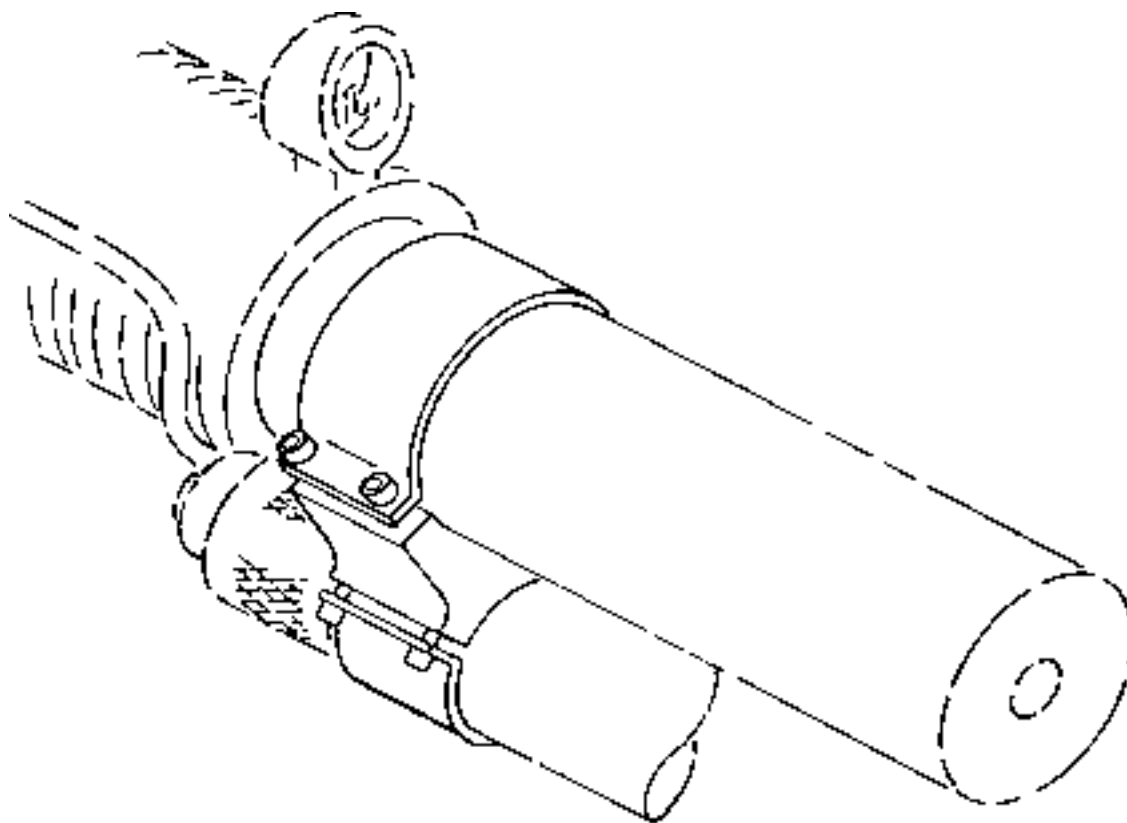

SUREFIRE®

**Model M23
Mount**

Users Manual



Universal Housing to MP5SD



Model M23 Mount

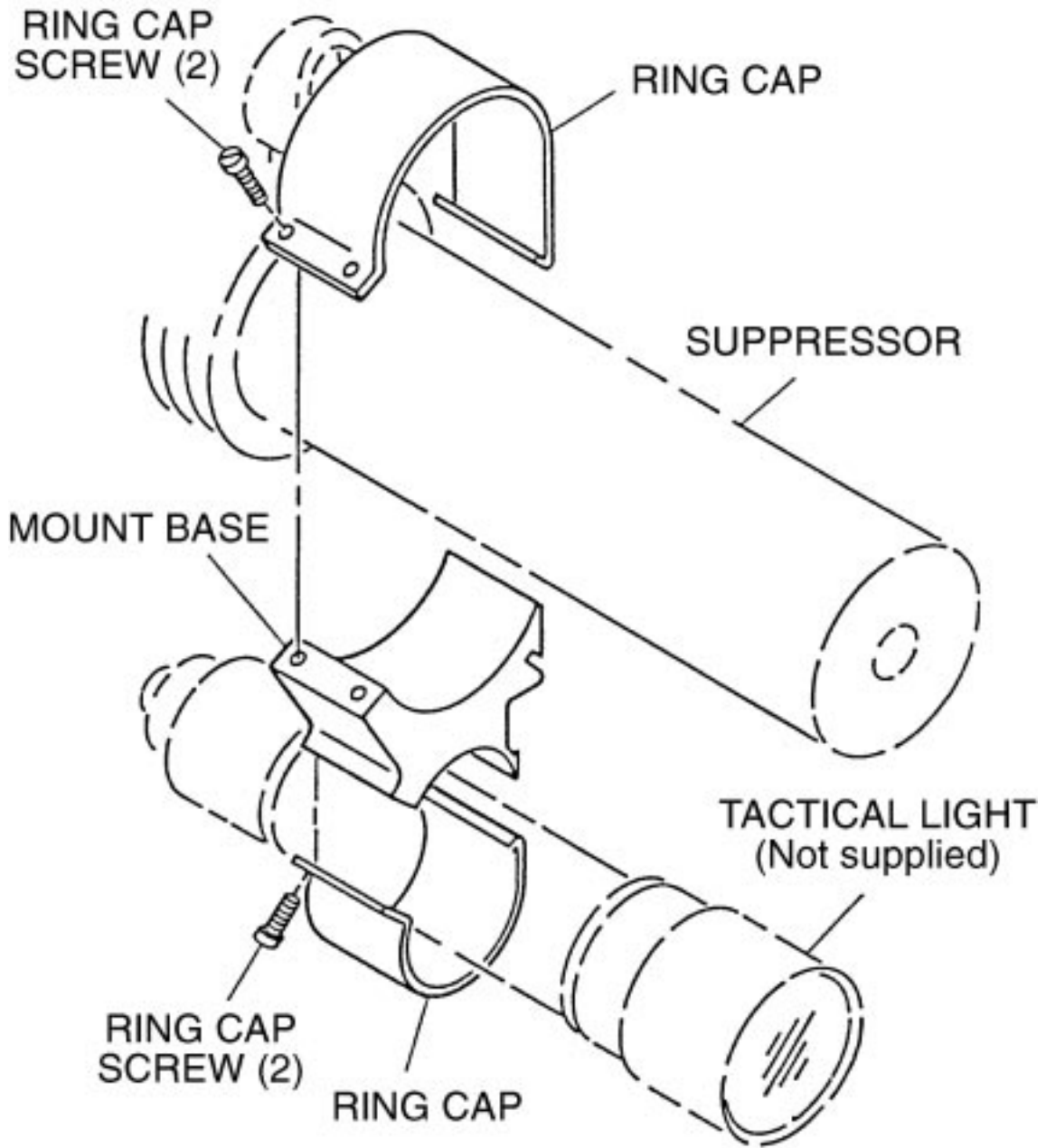
Installation

The M23 Mount is used for mounting a Universal Housing to the Suppressor on H&K MP5SD SMG'S. There are two Ring Caps with a common Mount Base, first Ring Cap 1.6 inch diameter, second Ring Cap 1 inch diameter.

1. Remove the two Ring Cap Screws from the 1.6 inch diameter Mount Base, place the Mount Base against the Suppressor.
2. Place the Ring Cap over the suppressor and position the hook end of the Ring Cap in the notch of the Mount Base.
3. Install the two Ring Cap Screws and tighten until secure.
4. When installing the Universal Housing (not supplied) in the 1 inch diameter Mount Base position the Tail Cap next to the back edge of Ring Cap. Excessive tightening of the 1 inch Ring Cap could make threading the Lamp or Laser Sight module into the Housing difficult.

Kit Contents

- M23 Mount
- Users Manual



Model M23 Mount

Repairs & Replacements

To obtain repair or replacement call Customer Service at 800-828-8809 (toll free) or 714-545-9444 and obtain a Return Authorization number (RA). Then pack the unit carefully and return (no COD's please) to:

Laser Products
Repairs Department, RA# ____
18300 Mt. Baldy Circle
Fountain Valley, CA 92708

Laser Products will pay any reasonable shipping costs to return the unit to you.

Warranty

Laser Products warrants that its products will be free from defects in materials and workmanship. Laser Products will repair or replace (at its option), without charge, any product or part which is found to be defective under normal use and service. Such repair or replacement shall be the purchaser's sole and exclusive remedy under this warranty. This warranty does not include normal maintenance and services and does not apply to any products or parts which have been subject to modification, misuse, negligence, accident, improper maintenance or repair by anyone other than Laser Products.

"Fine Print" Warranty Limitation

There is no other express warranty. Laser Products hereby disclaims any and all implied warranties, including, but not limited to fitness for a particular purpose. Laser Products shall not be liable for incidental, consequential, or special damages arising out of, or in connection with product use or performance.

um_M23_5.A01

18300 Mt Baldy Circle, Fountain Valley, CA 92708 714 545-9444