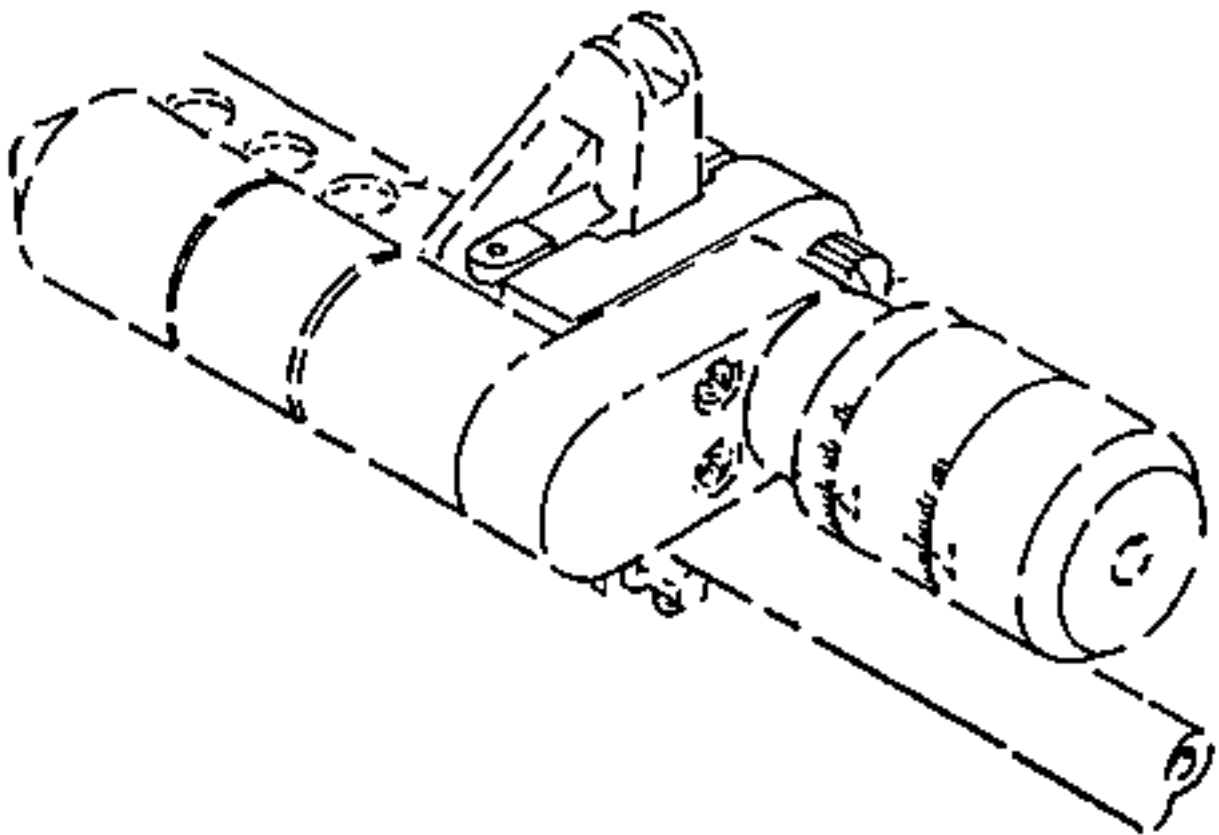

SUREFIRE®

Model M26
Mount, A15/A16
To Colt SMG & Rifles



Model M26 Mount

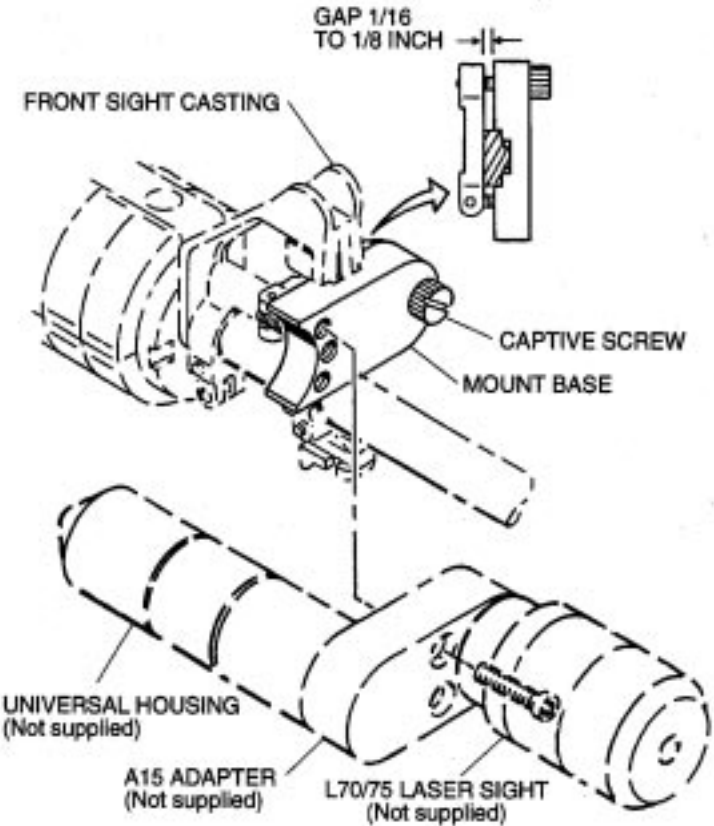
Installation

The Model M26 Mount provides a mount for an A15 or A16 Adapter on Colt SMG'S, Carbines, and Rifles.

1. Place the Mount Base against the vertical portion of the front sight casting. Position the Pivot Arm behind the vertical portion of the front sight and draw it up using the Captive Screw.
2. The Pivot Arm can be screwed in or out of the body of the Mount Base to adjust the gap between the end of the Pivot Arm and the Mount Base. The gap should be 1/16 to 1/8 of an inch.
3. Make sure that the tapered cut away portion of the Mount Base fits against the front sight, then tighten the Captive Screw with a screw driver.
4. Attach the A15 or A16 Adapter (not supplied) with two screws and tighten the screws.

Kit Contents

- M26 Mount
- Users Manual



Model M26 Mount

Repairs & Replacements

To obtain repair or replacement call Customer Service at 800-828-8809 (toll free) or 714-545-9444 and obtain a Return Authorization number (RA). Then pack the unit carefully and return (no COD's please) to:

Laser Products
Repairs Department, RA# _____
18300 Mt. Baldy Circle
Fountain Valley, CA 92708

Laser Products will pay any reasonable shipping costs to return the unit to you.

Warranty

Laser Products warrants that its products will be free from defects in materials and workmanship. Laser Products will repair or replace (at its option), without charge, any product or part which is found to be defective under normal use and service. Such repair or replacement shall be the purchaser's sole and exclusive remedy under this warranty. This warranty does not include normal maintenance and services and does not apply to any products or parts which have been subject to modification, misuse, negligence, accident, improper maintenance or repair by anyone other than Laser Products.

"Fine Print" Warranty Limitation

There is no other express warranty. Laser Products hereby disclaims any and all implied warranties, including, but not limited to fitness for a particular purpose. Laser Products shall not be liable for incidental, consequential, or special damages arising out of, or in connection with product use or performance.

um_M26_0.401

18300 Mt Baldy Circle, Fountain Valley, CA 92708 714 545-9444