

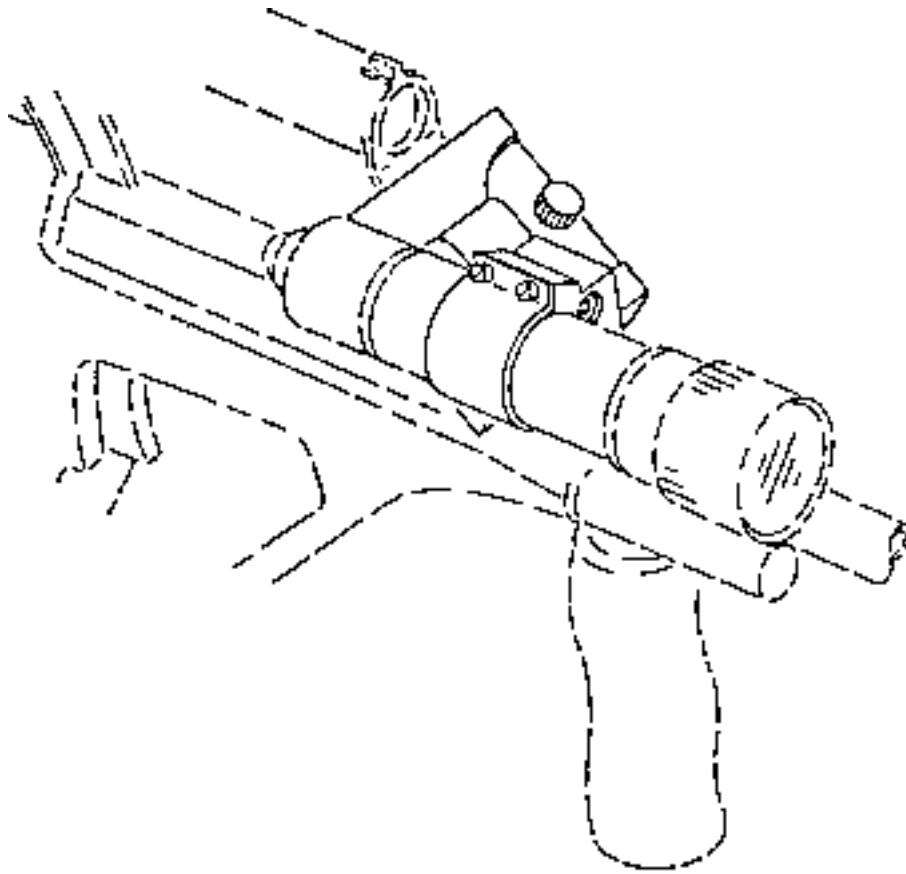
---

**SUREFIRE®**

**Model M27  
Mount**

---

*Users Manual*



**Universal Housing  
to Steyr AUG Rifles**

---

Revision C 12\_1\_95



# Model M27 Mount

---

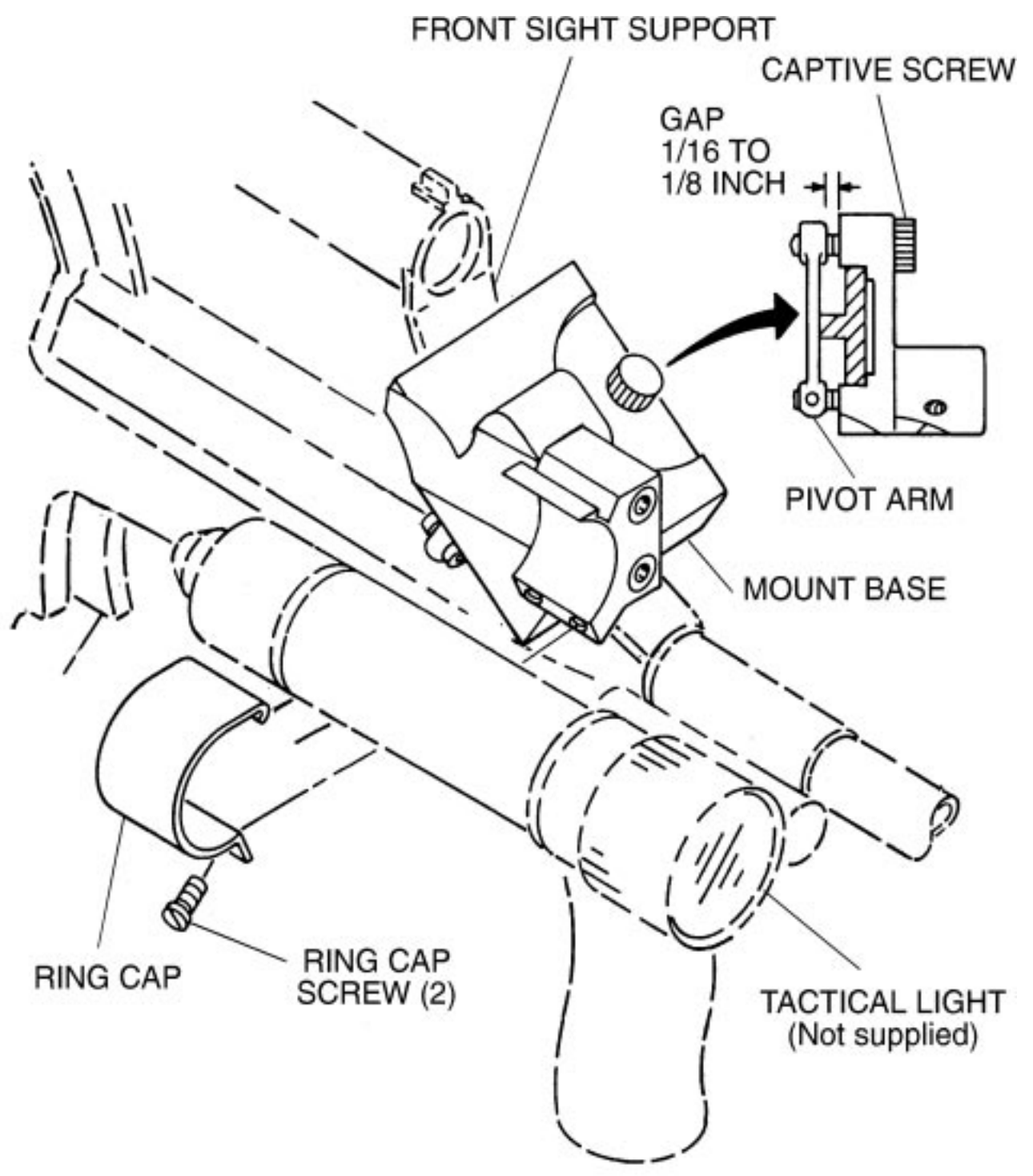
## Installation

The Model M27 Mount provides a mount for a Universal Housing on the Steyr AUG rifle.

1. Place the Mount Base against the front sight support.
2. Position the Pivot Arm behind the support and draw it up using the Captive Screw.
3. The Pivot Arm can be screwed in or out of the Mount Base to adjust the gap between the Pivot Arm and the Mount Base.
4. The gap should be 1/16 to 1/8 of an inch.
5. Make sure that the cut away portion of the Mount Base fits against the front sight support and tighten the Captive Screw with a screw driver.
6. Remove the two Ring Cap Screws from the Mount Base and place the Universal Housing (not Supplied) against the Mount Base.
7. Place the Ring Cap over the a Housing and position the hook end of the Ring Cap in the notch of the Mount Base. 8. Install the two Ring Cap Screws and tighten until secure.

## Kit Contents

- M27 Mount
- Users Manual



## Model M27 Mount

---

### Repairs & Replacements

To obtain repair or replacement call Customer Service at 800-828-8809 (toll free) or 714-545-9444 and obtain a Return Authorization number (RA). Then pack the unit carefully and return (no COD's please) to:

Laser Products  
Repairs Department, RA# \_\_\_\_\_  
18300 Mt. Baldy Circle  
Fountain Valley, CA 92708

Laser Products will pay any reasonable shipping costs to return the unit to you.

### Warranty

Laser Products warrants that its products will be free from defects in materials and workmanship. Laser Products will repair or replace (at its option), without charge, any product or part which is found to be defective under normal use and service. Such repair or replacement shall be the purchaser's sole and exclusive remedy under this warranty. This warranty does not include normal maintenance and services and does not apply to any products or parts which have been subject to modification, misuse, negligence, accident, improper maintenance or repair by anyone other than Laser Products.

#### *"Fine Print" Warranty Limitation*

*There is no other express warranty. Laser Products hereby disclaims any and all implied warranties, including, but not limited to fitness for a particular purpose. Laser Products shall not be liable for incidental, consequential, or special damages arising out of, or in connection with product use or performance.*

um\_M27\_5.A01

18300 Mt Baldy Circle, Fountain Valley, CA 92708

714 545-9444