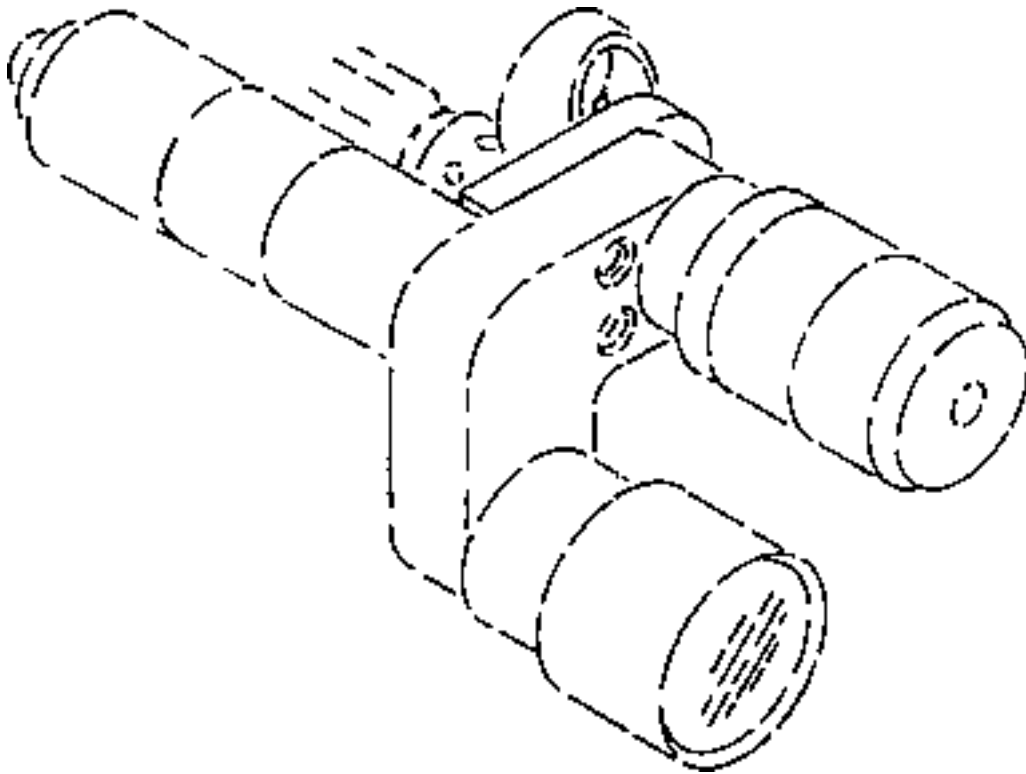

SUREFIRE®

Model M30
Mount, A15/A16
To MP5 2" Suppressors

Users Manual



Revision D6_1_2000



Model M30 Mount

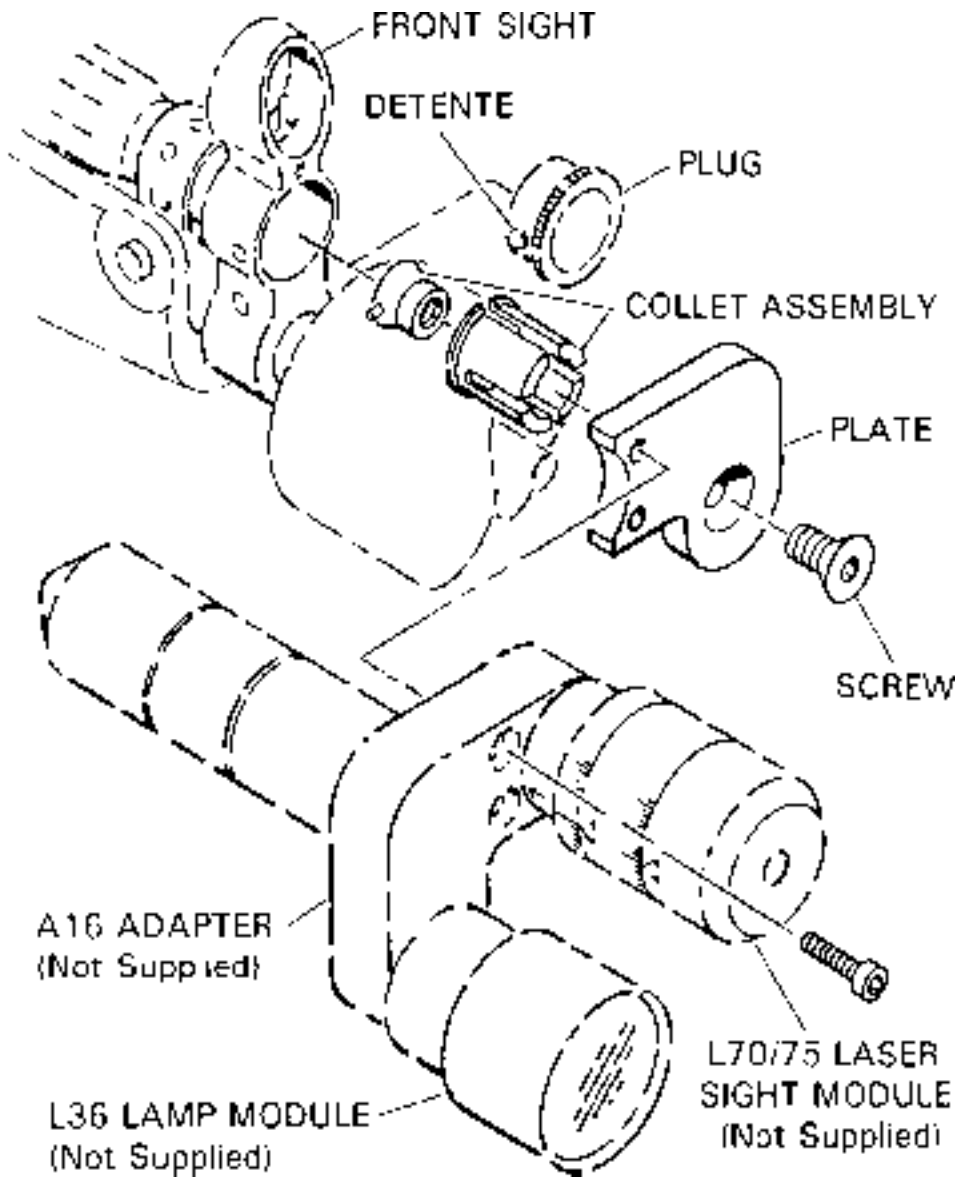
Installation

The M30 Mount is used on H&K MP5 SMG equipped with suppressors having a diameter between 1.60 and 2.10 inches.

1. Remove Plug from front sight body of weapon by depressing Detente on side of sight body (use a small screw driver or key) then withdraw the Plug.
2. Loosen Mount Screw in Collet assembly. Insert Collet into front sight body until lip on Collet protrudes beyond back surface of front sight. Rotate the Plate until top edge of Plate is horizontal. Tighten Screw in Collet to lock Plate against front sight.
3. Install the A15 or A16 Adapter (not supplied) onto the M30 Mount with 2 screws.

Kit Contents

- M30 Mount
- Users Manual



Model M30 Mount

Repairs & Replacements

To obtain repair or replacement call Customer Service at 800-828-8809 (toll free) or 714-545-9444 and obtain a Return Authorization number (RA). Then pack the unit carefully and return (no COD's please) to:

Laser Products
Repairs Department, RA# _____
18300 Mt. Baldy Circle
Fountain Valley, CA 92708-6122

Laser Products will pay any reasonable shipping costs to return the unit to you.

Warranty

Laser Products warrants that its products will be free from defects in materials and workmanship. Laser Products will repair or replace (at its option), without charge, any product or part which is found to be defective under normal use and service. Such repair or replacement shall be the purchaser's sole and exclusive remedy under this warranty. This warranty does not include normal maintenance and services and does not apply to any products or parts which have been subject to modification, misuse, negligence, accident, improper maintenance or repair by anyone other than Laser Products.

"Fine Print" Warranty Limitation

There is no other express warranty. Laser Products hereby disclaims any and all implied warranties, including, but not limited to fitness for a particular purpose. Laser Products shall not be liable for incidental, consequential, or special damages arising out of, or in connection with product use or performance.

um_M30_5.A01
71-01-324

18300 Mt Baldy Circle, Fountain Valley, CA 92708-6122 714 545-9444