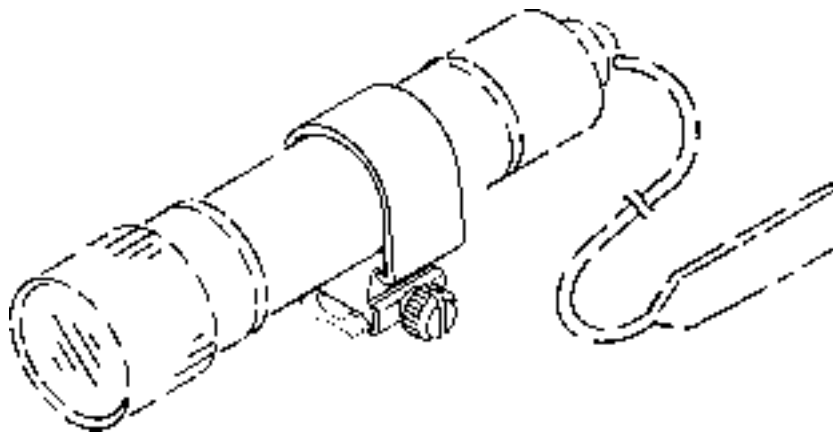

SUREFIRE®

Model M31
1" Ring Mount

Users Manual



Model M31 Mount

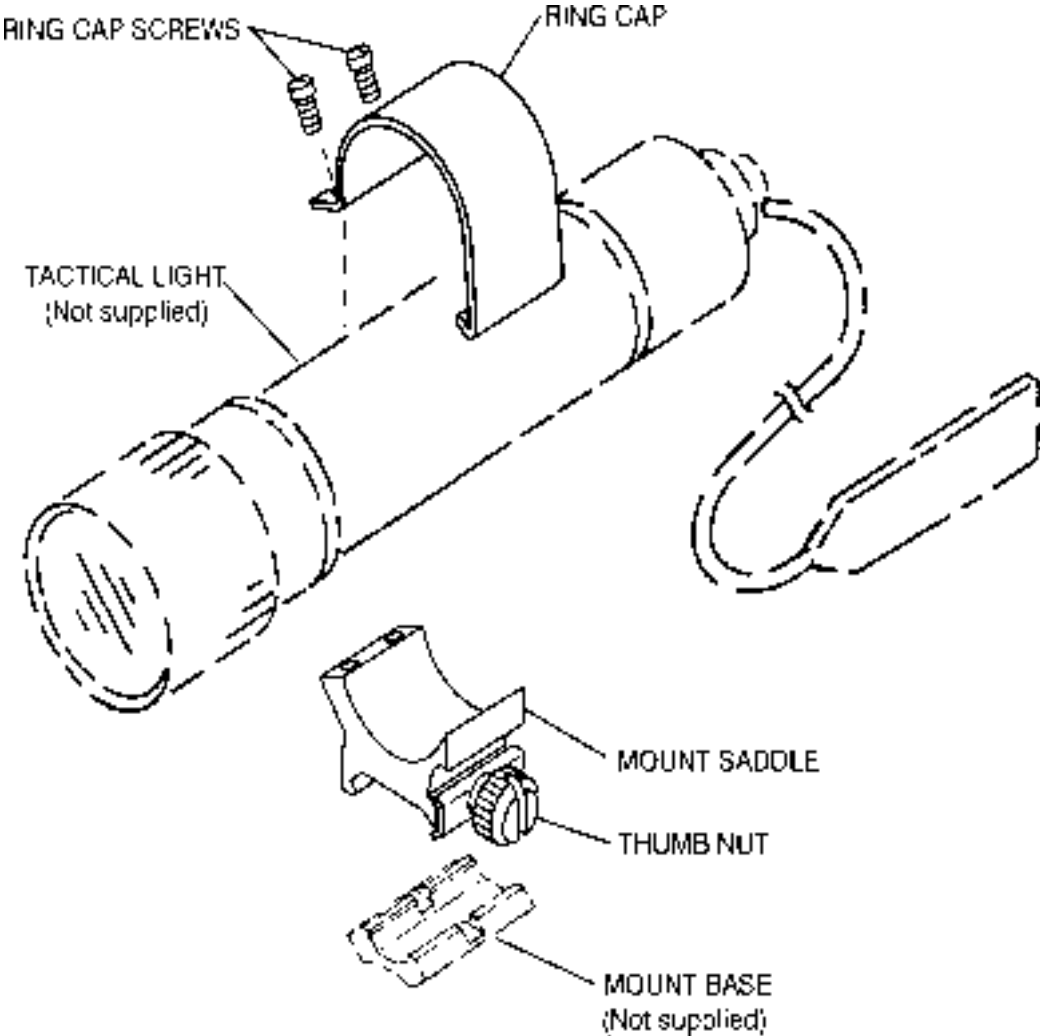
Installation

The Model M31 is a tall 1" Ring Base for mounting a Tactical Light on a weapon.

1. Separate the Ring Cap from the Mount Base by removing the two Ring Cap Screws.
2. Place the Ring Cap over the Tactical Light and position hook end of Ring Mount in notch of Mount Base and press Ring Cap down over the Tactical Light.
3. Replace the Ring Cap Screws and tighten.
4. Attach the Mount Base to the M18 Mount or equivalent (not supplied) by unscrewing the Thumb Nut in the Mount Base enough to allow the Mount Base to slide into place on the M18 Mount. Be sure the Crossbolt in the Mount Base fits into the groove in the M18 Mount.
5. Tighten the Thumb Nut.

Kit Contents

- M31 Mount
- Users Manual



Model M31 Mount

Repairs & Replacements

To obtain repair or replacement call Customer Service at 800-828-8809 (toll free) or 714-545-9444 and obtain a Return Authorization number (RA). Then pack the unit carefully and return (no COD's please) to:

Laser Products

Repairs Department. RA# _____

18300 Mt. Baldy Circle

Fountain Valley, CA 92708-6122

Laser Products will pay reasonable shipping costs to return the unit to you.

Warranty

Laser Products warrants that its products will be free from defects in materials and workmanship. Laser Products will repair or replace (at its option), without charge, any product or part which is found to be defective under normal use and service. Such repair or replacement shall be the purchaser's sole and exclusive remedy under this warranty. This warranty does not include normal maintenance and services and does not apply to any products or parts which have been subject to modification, misuse, negligence, accident, improper maintenance or repair by anyone other than Laser Products.

"Fine Print" Warranty Limitation

There is no other express warranty. Laser Products hereby disclaims any and all implied warranties, including, but not limited to fitness for a particular purpose. Laser Products shall not be liable for incidental, consequential, or special damages arising out of, or in connection with product use or performance.

um_M38_8.301

18300 Mt Baldy Circle, Fountain Valley, CA 92708-6122 714 545-9444