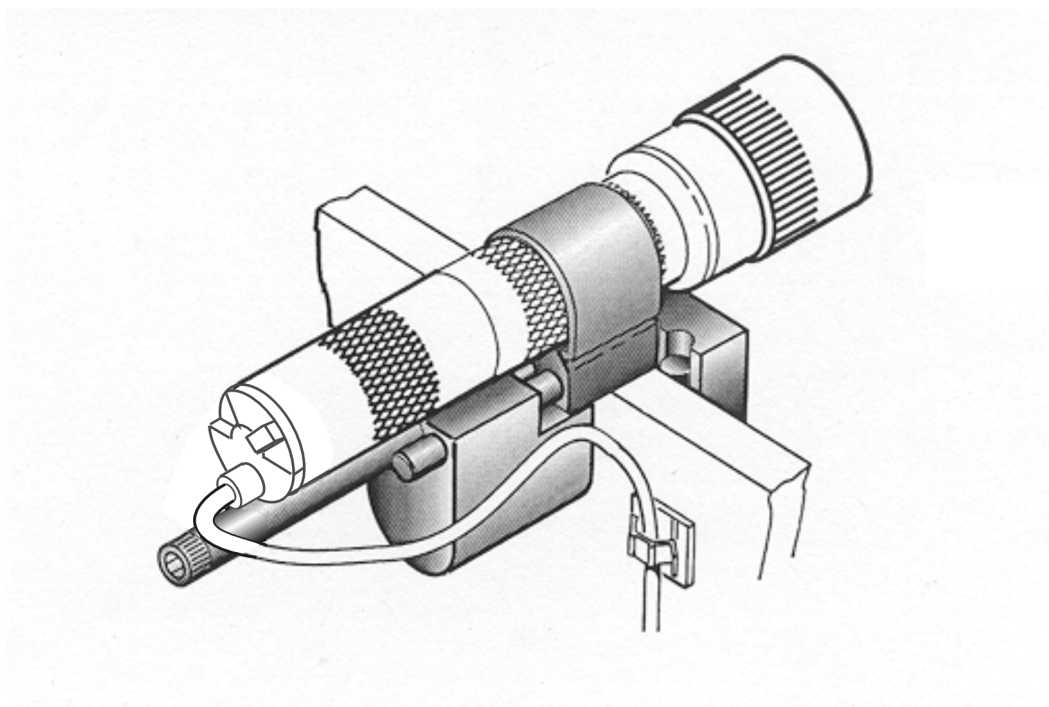

SUREFIRE®

Model M39
Shield Mount

Users Manual



Description

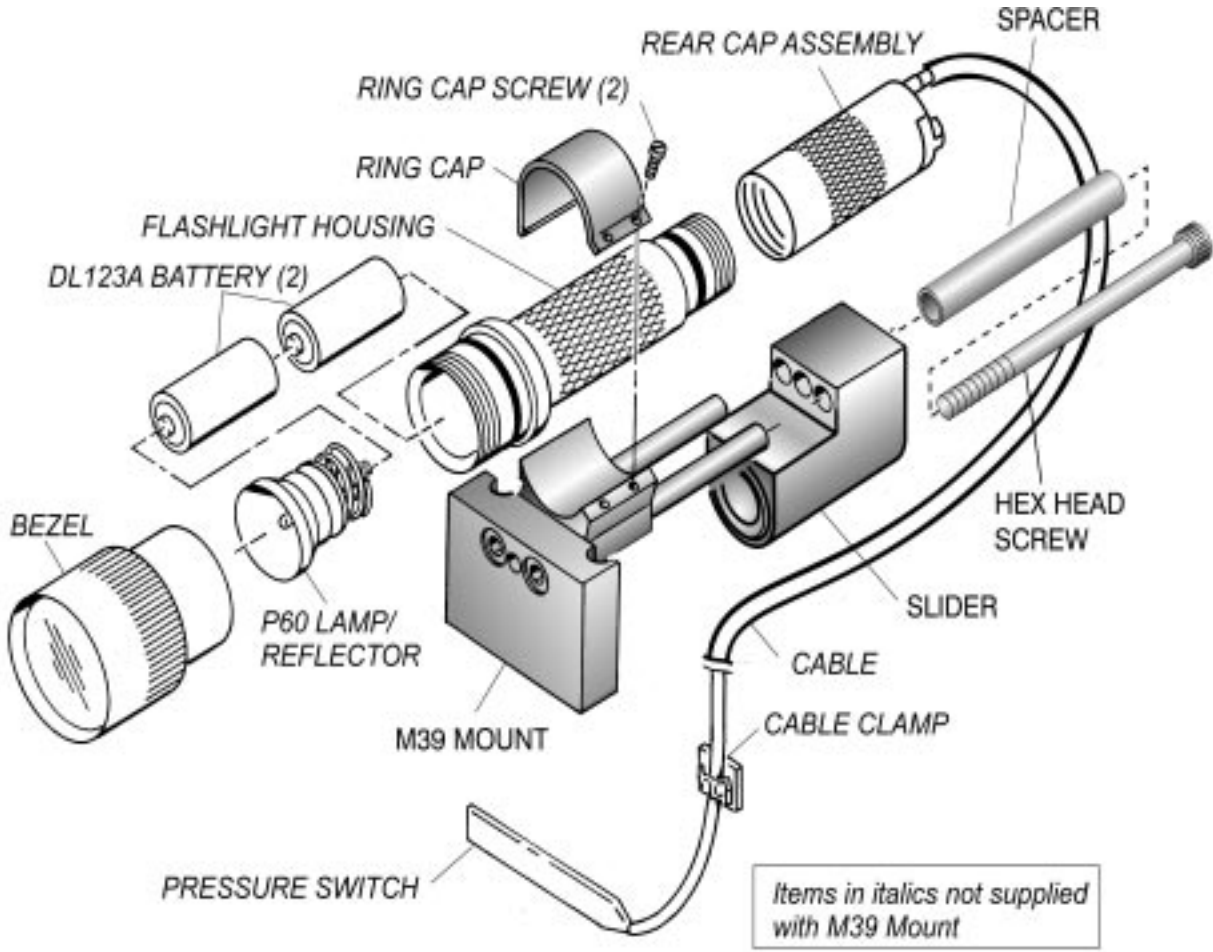
The Model M39 Shield Mount attaches to a ballistic shield and supplies a mount for a light that you can control from behind the shield.

Kit Contents

- M39 Mount
- Users Manual
- Loose Equipment
 - ◆ Hex Wrench
 - ◆ Cable Clips (6)
 - ◆ Velcro Hook & Loop
 - ◆ Alcohol Wipe

Installation

1. Place Mount over top of shield and position in place.
2. Tighten the Hex Head Screw with the wrench provided in the Kit.



Model M39 Shield Mount

Repairs & Replacements

To obtain repair or replacement call Customer Service at 800-828-8809 (toll free) or 714-545-9444 and obtain a Return Authorization number (RA). Then pack the unit carefully and return (no COD's please) to:

Laser Products
Repairs Department, RA# _____
18300 Mt. Baldy Circle
Fountain Valley, CA 92708-6122

Laser Products will pay reasonable shipping costs to return the unit to you.

Warranty

Laser Products warrants that its products will be free from defects in materials and workmanship. Laser Products will repair or replace (at its option), without charge, any product or part which is found to be defective under normal use and service. Such repair or replacement shall be the purchaser's sole and exclusive remedy under this warranty. This warranty does not include normal maintenance and services and does not apply to any products or parts which have been subject to modification, misuse, negligence, accident, improper maintenance or repair by anyone other than Laser Products.

Fine Print" Warranty Limitation

There is no other express warranty. Laser Products hereby disclaims any and all implied warranties, including, but not limited to fitness for a particular purpose. Laser Products shall not be liable for incidental, consequential, or special damages arising out of, or in connection with product use or performance.

um_M39_9.A01